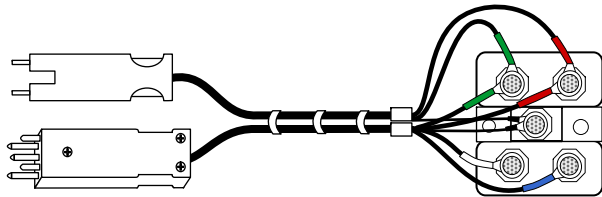


36B Cabinet Solutions for Frontier

New Replacement Fans & Accessories



TAG # T-6W3F-10

(NEW Replacement Protector / 526A to 125 Station Protector)

(1) IN EACH CABINET



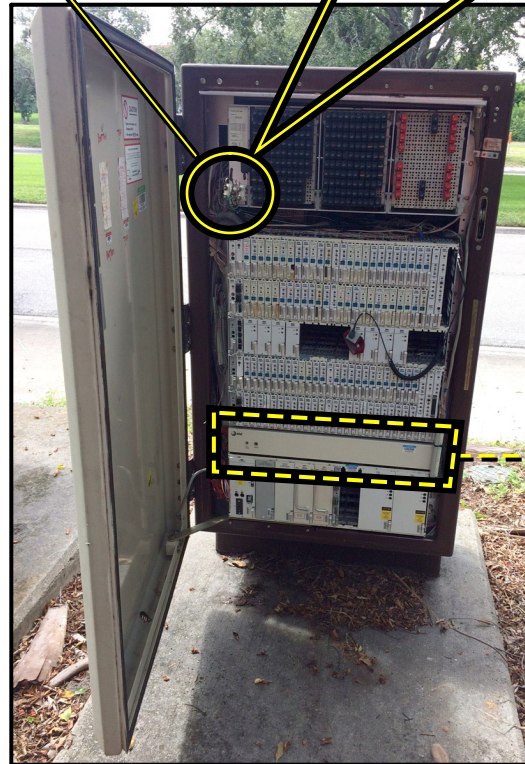
TAG # TF-LU2C

(NEW Replacement Fan)

**(1) FAN TRAY UNIT IN EACH CABINET
(3 FANS)**



36B CABINET (OUTSIDE VIEW)



INSIDE VIEW OF CABINET



2C FAN TRAY UNIT (SIDE VIEW)

**AIRFLOW
DIRECTION
ON (3) FANS
POINT UP**

150 Cooper Rd. (F-15)
W. Berlin, NJ 08091

www.tagcords.com
Telecom Assistance Group

Telephone: (856) 753-8585
Fax: (856) 768-7645

36B Cabinet Solutions for Frontier

New Replacement Fans & Accessories

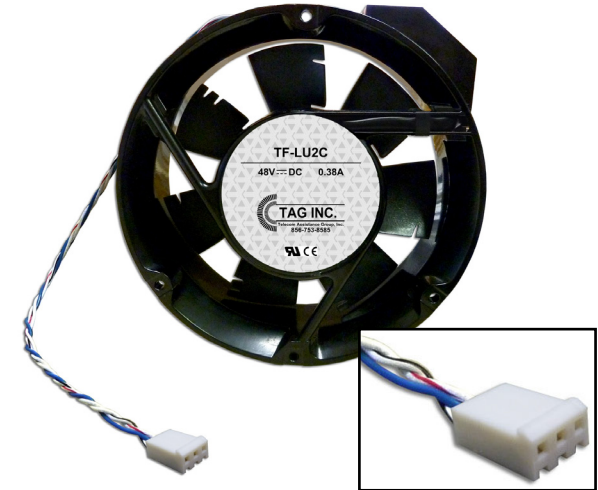
Ordering Information:

FTR UPN #
TF-LU2C

48 Volt Replacement Fan for
Lucent 2C Fan Tray
w/ 3 Wire Plug

(Equiv. to KS22501L5A)

(36B Cabinet, Lucent 2C Tray - Internal)

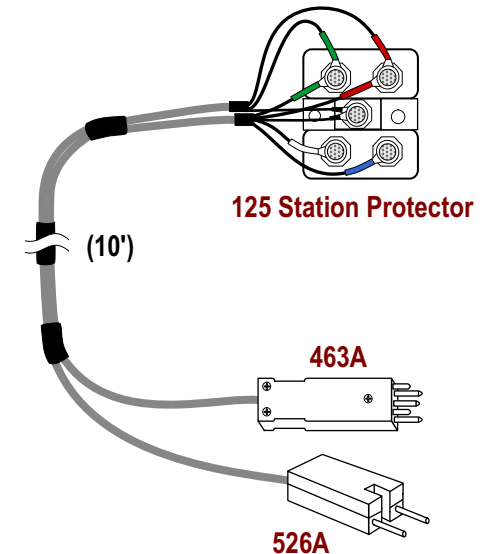


FTR UPN #
T-6W3F-10

Protector / 526A plug to 125 Station Protector
(10') - available in various lengths

(36B Cabinet, Test Cord - Internal)

- Cabinet mounting assembly for performing line tests on SLC-96 & Series 5



150 Cooper Rd. (F-15)
W. Berlin, NJ 08091

www.tagcords.com

Telecom Assistance Group

Telephone: (856) 753-8585

Fax : (856) 768-7645