

## Alcatel 7330 Streaker Unit CT-7330 Practice

1. GENERAL.....	1
2. APPLICATION.....	1
3. PROCEDURE.....	1
4. PHYSICAL DESCRIPTION and CONNECTIONS.....	2
5. TESTING EQUIPMENT.....	3
6. STEP BY STEP TEST PROCEDURE.....	4-5
7. CABLING / WIRING DIAGRAM.....	6
8. CONTINUITY TEST DATA SHEET.....	7

### **2 APPLICATION**

The Alcatel 7330 Streaker Unit (CT-7330) are utilized by installers, maintenance and audit (acceptance) personnel. The Streaker Unit verifies wiring from the 7330 to the wire termination points. The “streaker” test determines that the 7330 is properly connected. The CT-7330 is powered by 9-Volt batteries.

### **1 GENERAL**

This practice describes TAG's Alcatel 7330 Streaker Unit (CT-7330). The CT-7330 is used when installing the Alcatel 7330 system.

For complete information: See Page 2 - Physical Description and Connections.

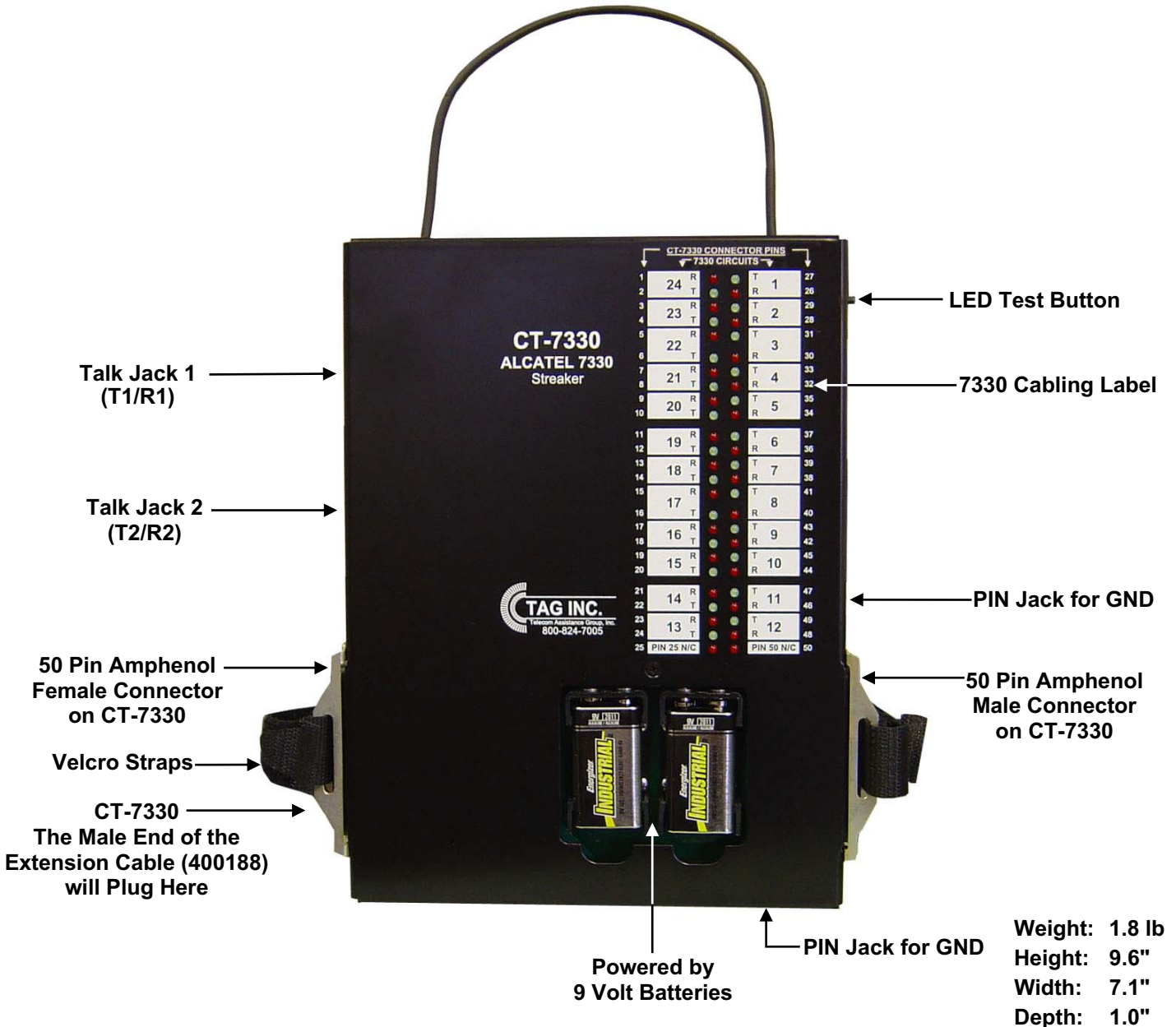
### **3 PROCEDURE**

The test procedure typically requires two (2) people for ease of testing. Tester 1 - with the CT-7330 at the front of the Alcatel 7330. Tester 2 - at the wire termination location - grounds the corresponding connection points . Tester 1 observes the illuminated LED's to verify the wiring.

See Pages 4 - 5 for Step-by-Step Test Procedures.

## Alcatel 7330 Streaker Unit CT-7330 Practice

### 4 Physical Description and Connections



Talk Jack 1  
(T1/R1)

Talk Jack 2  
(T2/R2)

50 Pin Amphenol  
Female Connector  
on CT-7330

Velcro Straps

CT-7330  
The Male End of the  
Extension Cable (400188)  
will Plug Here

LED Test Button

7330 Cabling Label

PIN Jack for GND

50 Pin Amphenol  
Male Connector  
on CT-7330

Powered by  
9 Volt Batteries

PIN Jack for GND

Weight: 1.8 lb  
 Height: 9.6"  
 Width: 7.1"  
 Depth: 1.0"

The CT-7330 provides a quick method to verify continuity from the 7330 to Wire Termination Points - checking all interconnect cabling and connectors. Tester 2 will ground the terminating points and verify with Tester 1 that wiring is correct.

## Alcatel 7330 Streaker Unit CT-7330 Practice

### 5 Testing Equipment

#### The following equipment is required:

- At least one Continuity Streaker Unit, Part Number (CT-7330) (includes: Extension Cable # 400188, Ground Cord # 400409 & Manual # 3004105-502)
- Protected Ground Probe, Part Number **P-2000X**.
- Hands Free Talk Set, Part Number **TS-7300**. Tester 1 can communicate with Tester 2 via Hands Free Talk Set over spare pair.
- Continuity Test Data Sheet (see Table A) - Page 7.

**Part Number : CT-7330**  
**Description: Alcatel 7330 Streaker Unit**



**Part Number: P-2000X**  
**Description: Protected Ground Probe w/ LED**



**Part Number: 400409**  
**Description: Grounding Cord, (6')**



**Part Number: TS-7300**  
**Description: Talk Set Kit**

- (2) Hands free talk set w/headphone/mic (TS-1C),
- (1) Bantam to Wire Wraps - Talk Set Monitor 6' (400210TSW),
- (1) Bantam to Pin Plugs 6' (400210P) & (1) Carrying Case (600209)

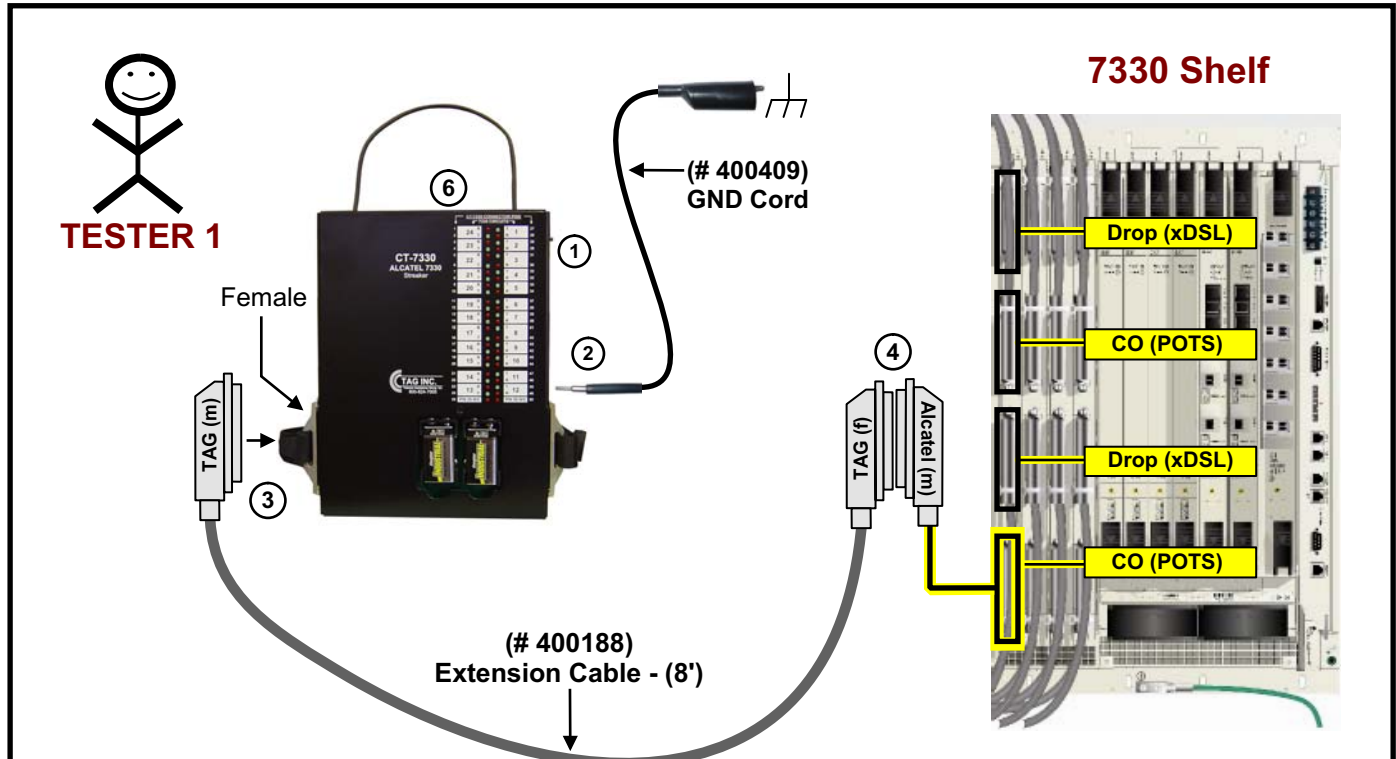


**Part Number: 600209N**  
**Description: Carrying Case**



## Alcatel 7330 Streaker Unit CT-7330 Practice

### 6 Step by Step Test Procedure



**TESTER 1**

**7330 Shelf**

Drop (xDSL)  
 CO (POTS)  
 Drop (xDSL)  
 CO (POTS)

(# 400409)  
 GND Cord

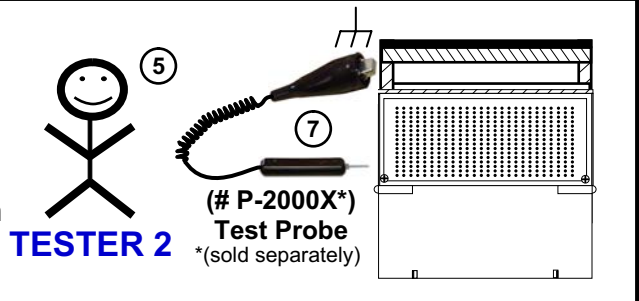
(# 400188)  
 Extension Cable - (8')

**TESTER 1**

1. Press the LED test button on the CT-7330. If ALL LED's do not illuminate, replace the batteries.
2. Connect the CT-7330 to a convenient frame ground with the ground cord (# 400409).
3. Connect 50 Pin Extension Cable (# 400188) to the CT-7330.
4. Connect the other end of the Extension Cable to the unplugged Amphenol Cable at the 7330 shelf.
5. Establish communication with **Tester 2**.
6. Verify the wires being probed by **Tester 2** according to the label of the CT-7330.  
 (Correct LED's illuminate)

**TESTER 2** \*Located where Wires Terminate\*

7. Connect the test probe (# P-2000X) Alligator Clip to Frame Ground. Use the probe end to "ground the corresponding wiring assignments" The LED on the probe will illuminate to indicate a connection to the Alcatel 7330 Streaker .

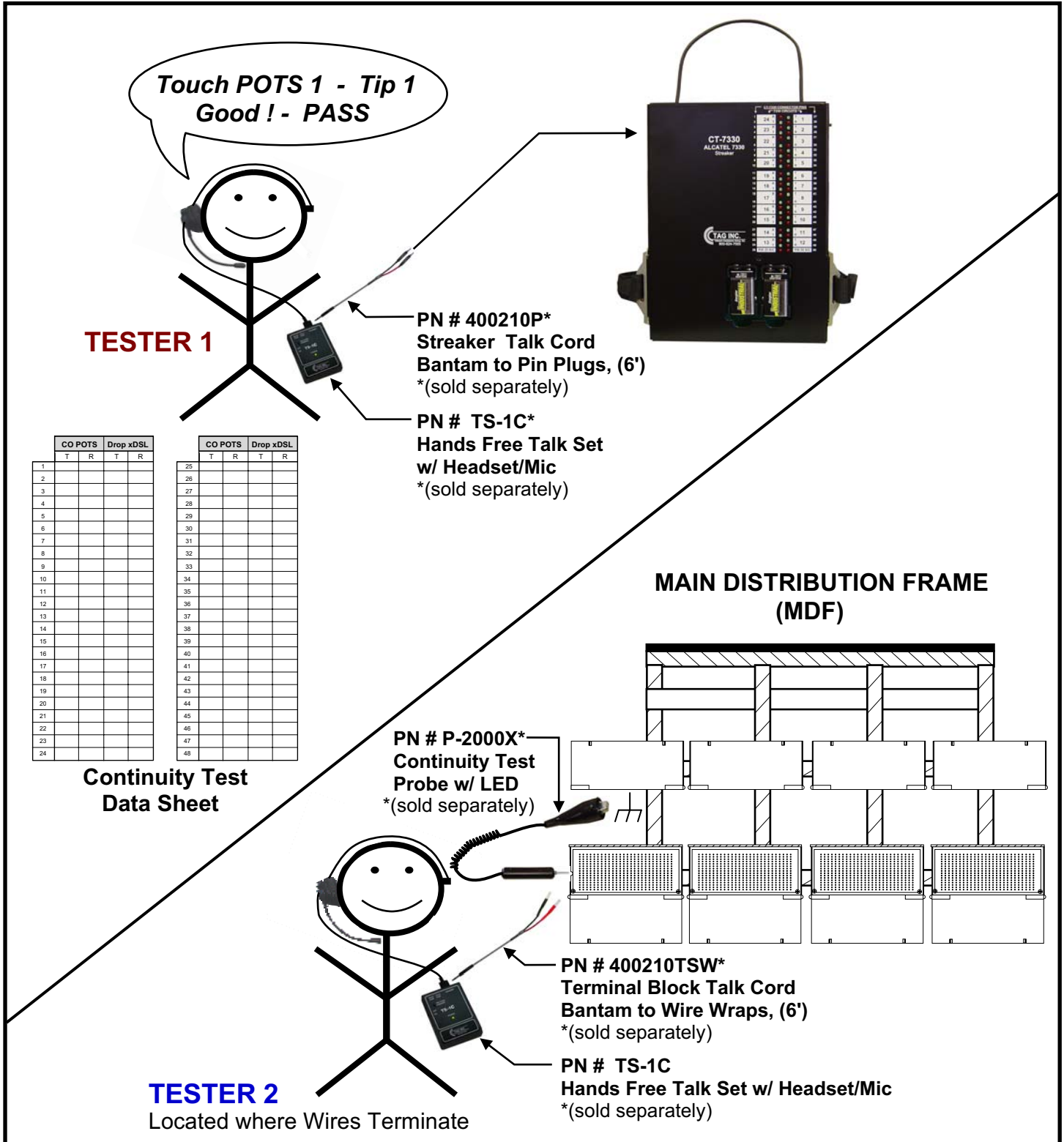


**TESTER 2**

(# P-2000X\*)  
 Test Probe  
 \*(sold separately)

**Alcatel 7330 Streaker Unit  
 CT-7330 Practice**

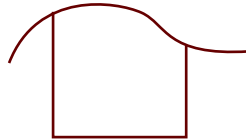
**6 Step by Step Test Procedure**





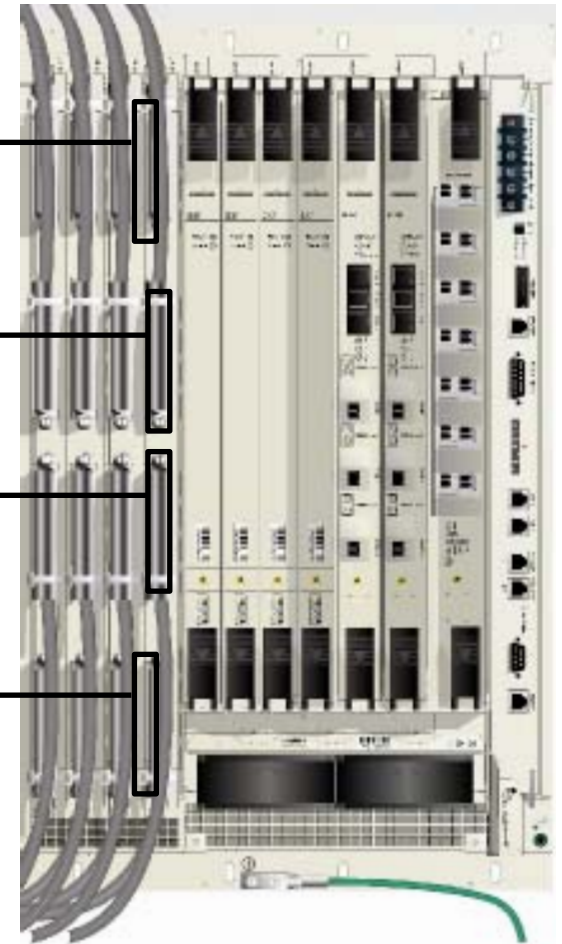
## Alcatel 7330 Streaker Unit CT-7330 Practice

### 7 Cable/Wiring Diagram



Male Alcatel Amphenol Cable

R24	Brown/Violet	1	26	Blue/White	R1
T24	Violet/Brown	2	27	White/Blue	T1
R23	Green/Violet	3	28	Orange/White	R2
T23	Violet/Green	4	29	White/Orange	T2
R22	Orange/Violet	5	30	Green/White	R3
T22	Violet/Orange	6	31	White/Green	T3
R21	Blue/Violet	7	32	Brown/White	R4
T21	Violet/Blue	8	33	White/Brown	T4
R20	Slate/Yellow	9	34	Slate/White	R5
T20	Yellow/Slate	10	35	White/Slate	T5
R19	Brown/Yellow	11	36	Blue/Red	R6
T19	Yellow/Brown	12	37	Red/Blue	T6
R18	Green/Yellow	13	38	Orange/Red	R7
T18	Yellow/Green	14	39	Red/Orange	T7
R17	Orange/Yellow	15	40	Green/Red	R8
T17	Yellow/Orange	16	41	Red/Green	T8
R16	Blue/Yellow	17	42	Brown/Red	R9
T16	Yellow/Blue	18	43	Red/Brown	T9
R15	Slate/Black	19	44	Slate/Red	R10
T15	Black/Slate	20	45	Red/Slate	T10
R14	Brown/Black	21	46	Blue/Black	R11
T14	Black/Brown	22	47	Black/Blue	T11
R13	Green/Black	23	48	Orange/Black	R12
T13	Black/Green	24	49	Black/Orange	T12
Spare	Violet/Slate	25	50	Slate/Violet	Spare





## Alcatel 7330 Streaker Unit CT-7330 Practice

### 8 (TABLE A) Continuity Test Data Sheet

Tested by : \_\_\_\_\_  
 Shelf # : \_\_\_\_\_  
 Rack # : \_\_\_\_\_

(P) Pass (F) Fail

	CO POTS		Drop xDSL	
	T	R	T	R
1				
2				
3				
4				
5				
6				
7				
8				
9				
10				
11				
12				
13				
14				
15				
16				
17				
18				
19				
20				
21				
22				
23				
24				

	CO POTS		Drop xDSL	
	T	R	T	R
25				
26				
27				
28				
29				
30				
31				
32				
33				
34				
35				
36				
37				
38				
39				
40				
41				
42				
43				
44				
45				
46				
47				
48				