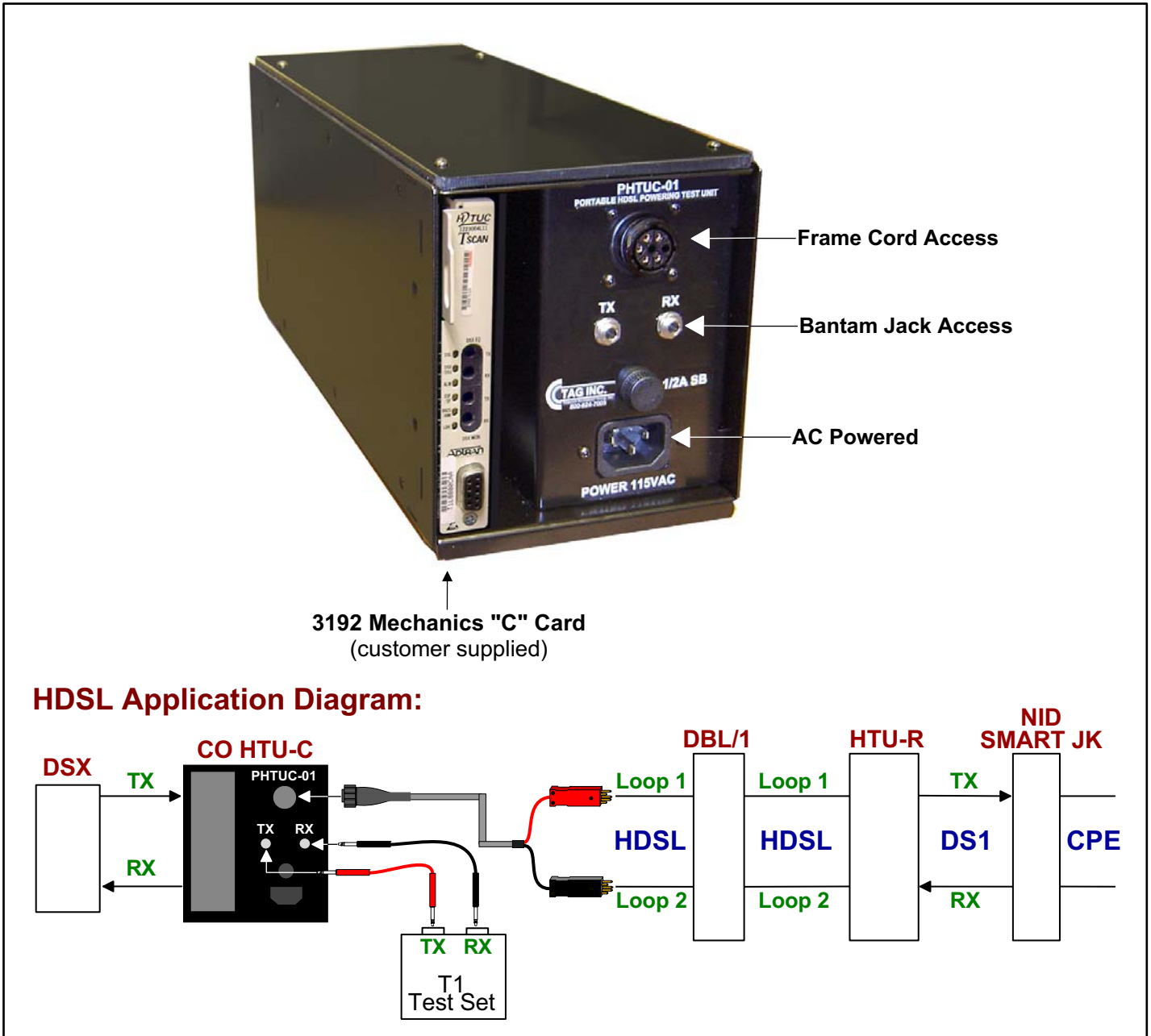




## Portable "C" - HDSL Powering Test Unit PHTUC-01 Practice

### ► Physical Description and Connections



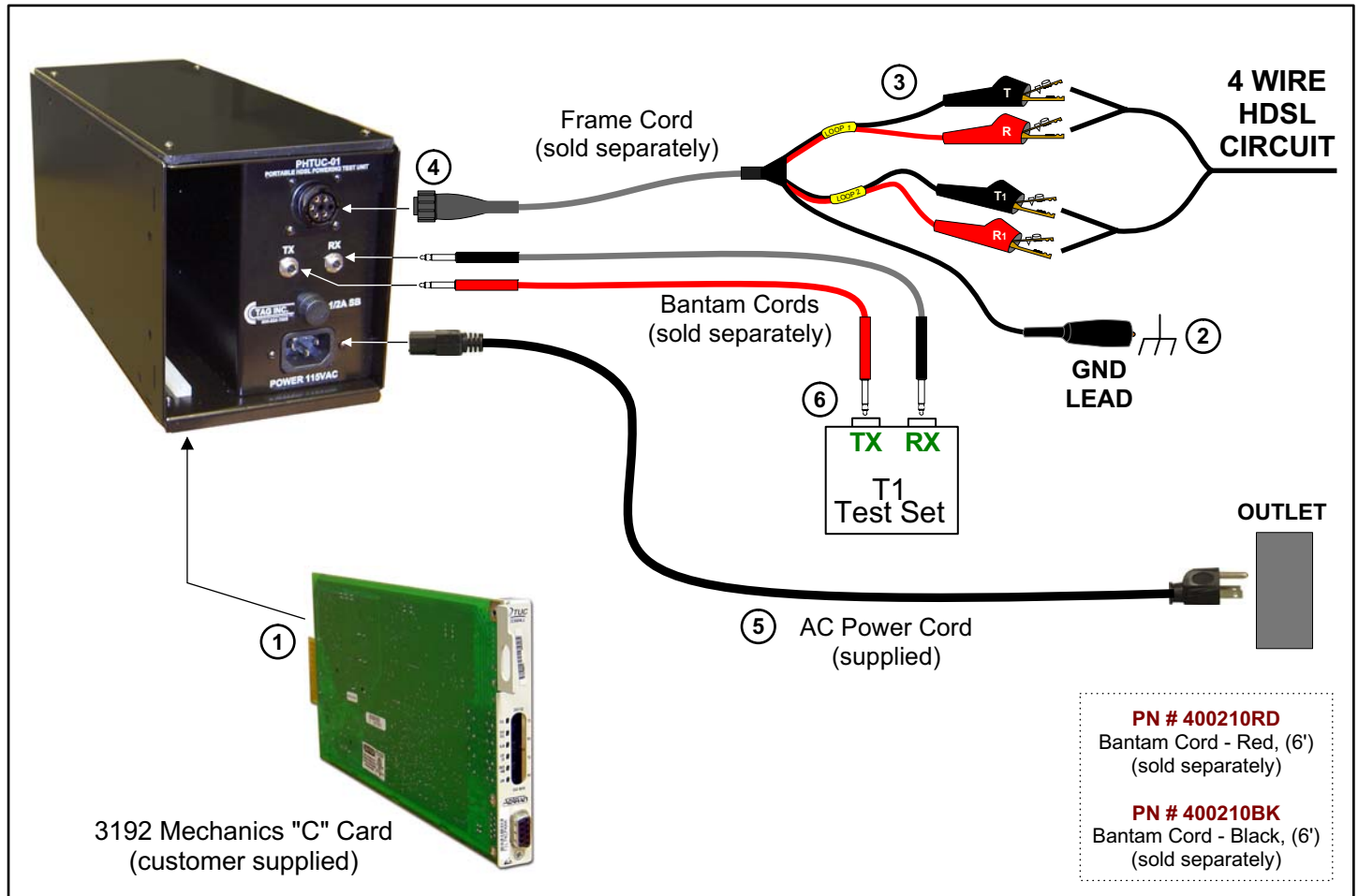
### Application:

Telecom Assistance Group's PHTUC-01 is a Portable HDSL Powering Test Unit that is compatible with 3192 HDSL "C" Cards. The PHTUC-01 temporarily powers an HDSL loop to verify new HDSL installation or troubleshoot HDSL troubles.



## Portable "C" - HDSL Powering Test Unit PHTUC-01 Practice

### ▶ OSP Application

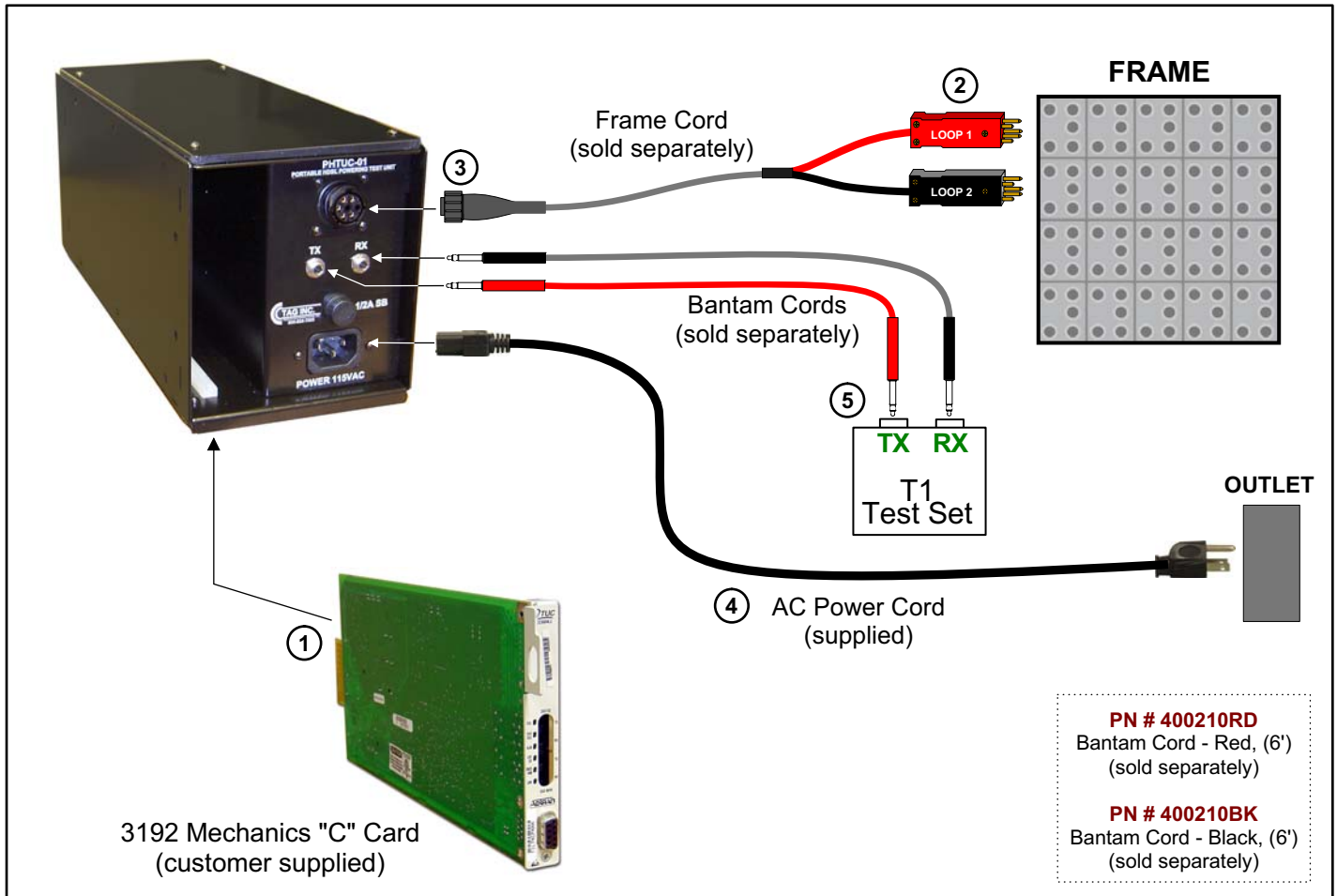


1. Plug a 3192 Mechanics "C" Card (customer supplied) into PHTUC-01 Portable Powering Test Unit. Make sure that the card is firmly seated in the unit.
  2. Attach the GND Lead of the Frame Cord to Ground.
  3. Attach the alligator clips on the Frame Cord to the circuit requiring power.
  4. Attach the locking plug end of the Frame Cord to the PHTUC-01.
- ⚠ Warning: High Voltage will appear on the plug ends when AC power is applied.**
5. Attach the supplied AC power cord to the PHTUC-01 and then plug it into an outlet.
  6. Connect Bantam Cords from a T1 Test Set into the PHTUC-01. Begin testing remote HDSL equipment.



## Portable "C" - HDSL Powering Test Unit PHTUC-01 Practice

### CO Application



1. Plug a 3192 Mechanics "C" Card (customer supplied) into PHTUC-01 Portable Powering Test Unit. Make sure that the card is firmly seated in the unit.
  2. Insert the frame cord into the circuits you want to power.
  3. Attach the locking plug end of the frame cord to the PHTUC-01.
- ⚠ Warning: High Voltage will appear on the plug ends when AC power is applied.**
4. Attach the supplied AC power cord to the PHTUC-01 and then plug it into an outlet.
  5. Connect Bantam Cords from a T1 Test Set into the PHTUC-01. Begin testing remote HDSL equipment.

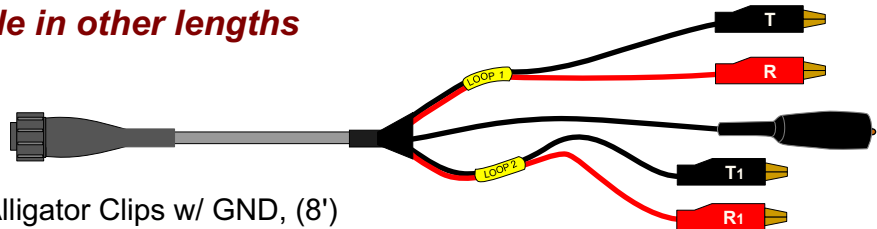


## Portable "C" - HDSL Powering Test Unit PHTUC-01 Practice

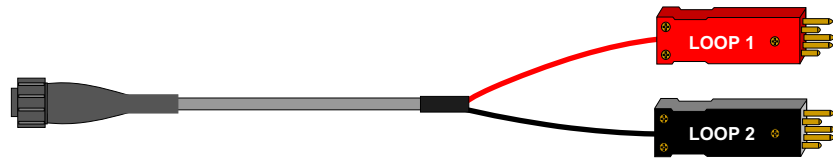
**► 4W Frame Cords** (sold separately)

*All Cords are available in other lengths*

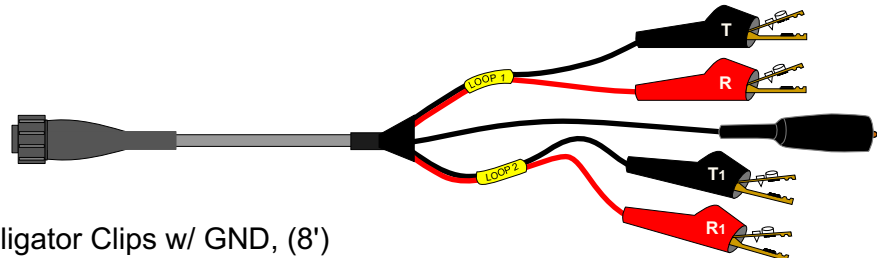
**4C-A-08**  
 Male Lock Plug to (4) Std Alligator Clips w/ GND, (8')



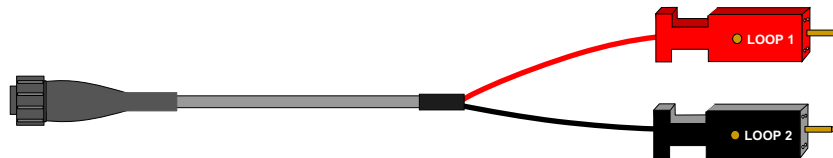
**4C-463Y-08**  
 Male Lock Plug to Protector "Y", (8')



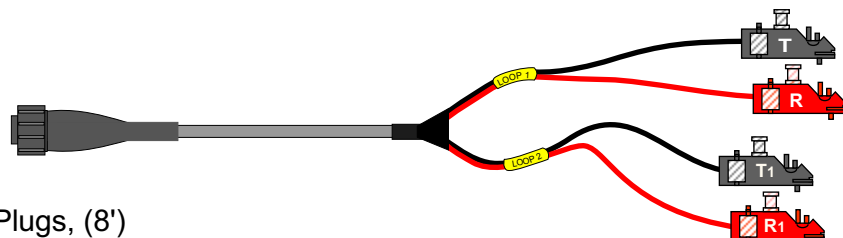
**4C-6P-08**  
 Male Lock Plug to (4) 6P Alligator Clips w/ GND, (8')



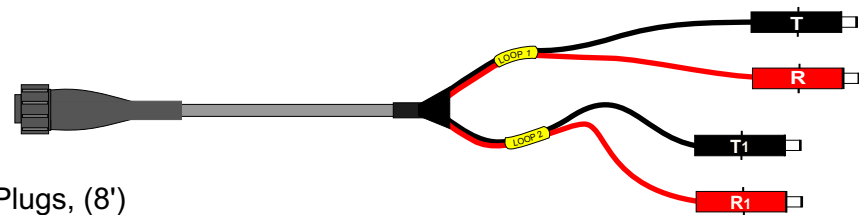
**4C-POR TY-08**  
 Male Lock Plug to Porta "Y", (8')



**4C-252Y-08**  
 Male Lock Plug to 252 "Y" Plugs, (8')



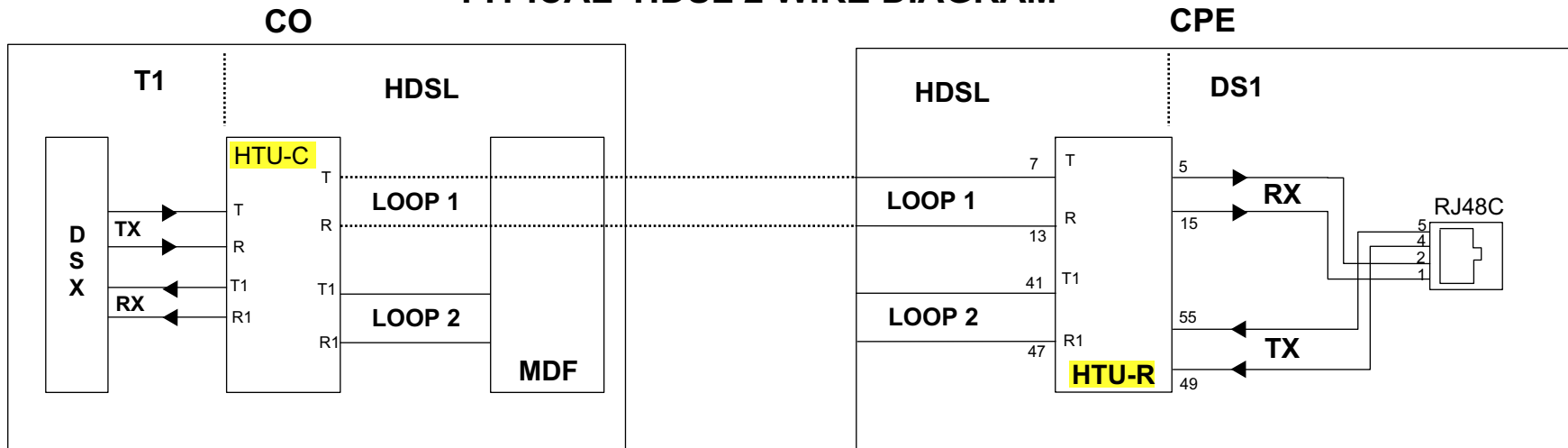
**4C-412Y-08**  
 Male Lock Plug to 412 "Y" Plugs, (8')



## Portable "C" - HDSL Powering Test Unit PHTUC-01 Practice

### ► HDSL Wiring Diagrams

#### TYPICAL HDSL 2 WIRE DIAGRAM



#### TYPICAL HDSL 4 WIRE DIAGRAM

