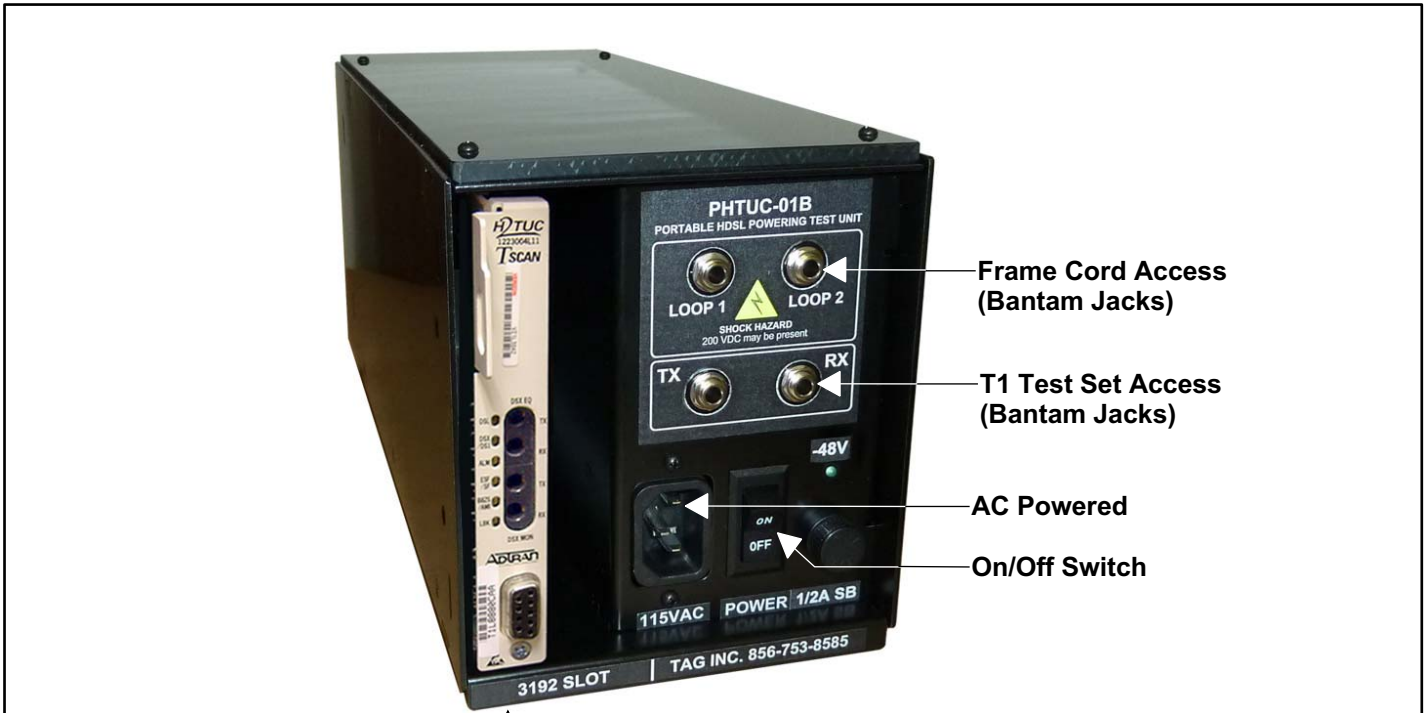


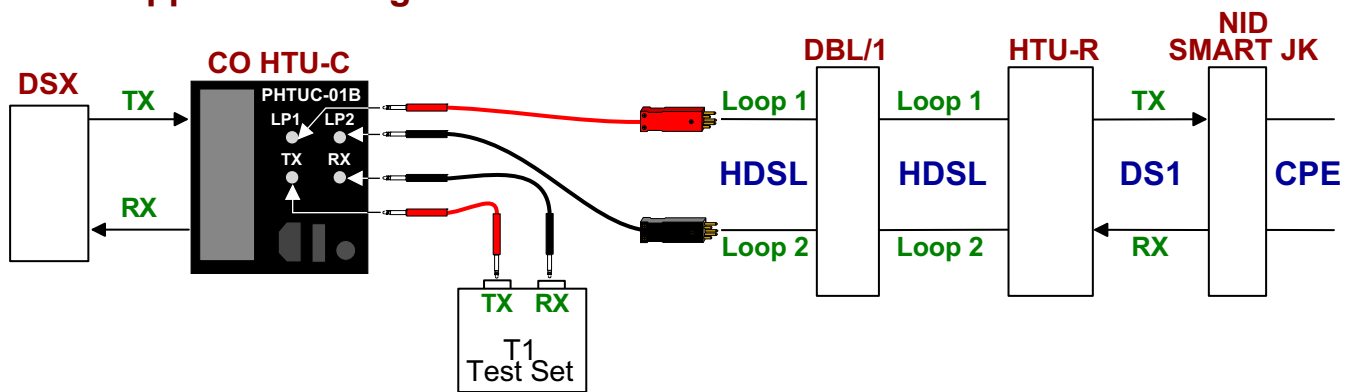
Portable "C" - HDSL Powering Test Unit w/ Bantam Jacks PHTUC-01B Practice

► Physical Description and Connections



3192 Mechanics "C" Card
 (customer supplied)

HDSL Application Diagram:

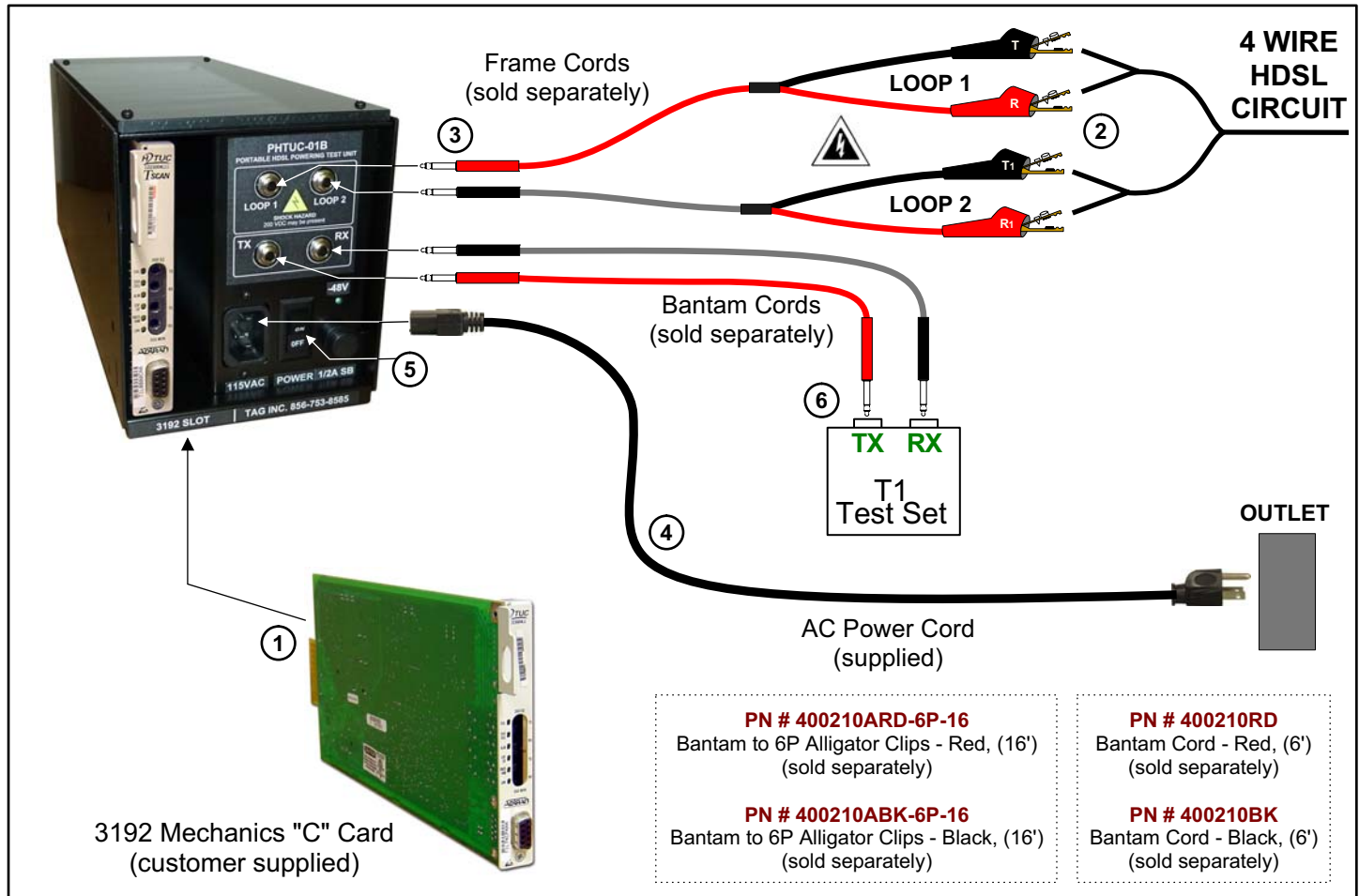



Application:

Telecom Assistance Group's PHTUC-01B is a Portable HDSL Powering Test Unit that is compatible with 3192 HDSL "C" Cards. The PHTUC-01B temporarily powers an HDSL loop to verify new HDSL installation or troubleshoot HDSL troubles.

Portable "C" - HDSL Powering Test Unit w/ Bantam Jacks PHTUC-01B Practice

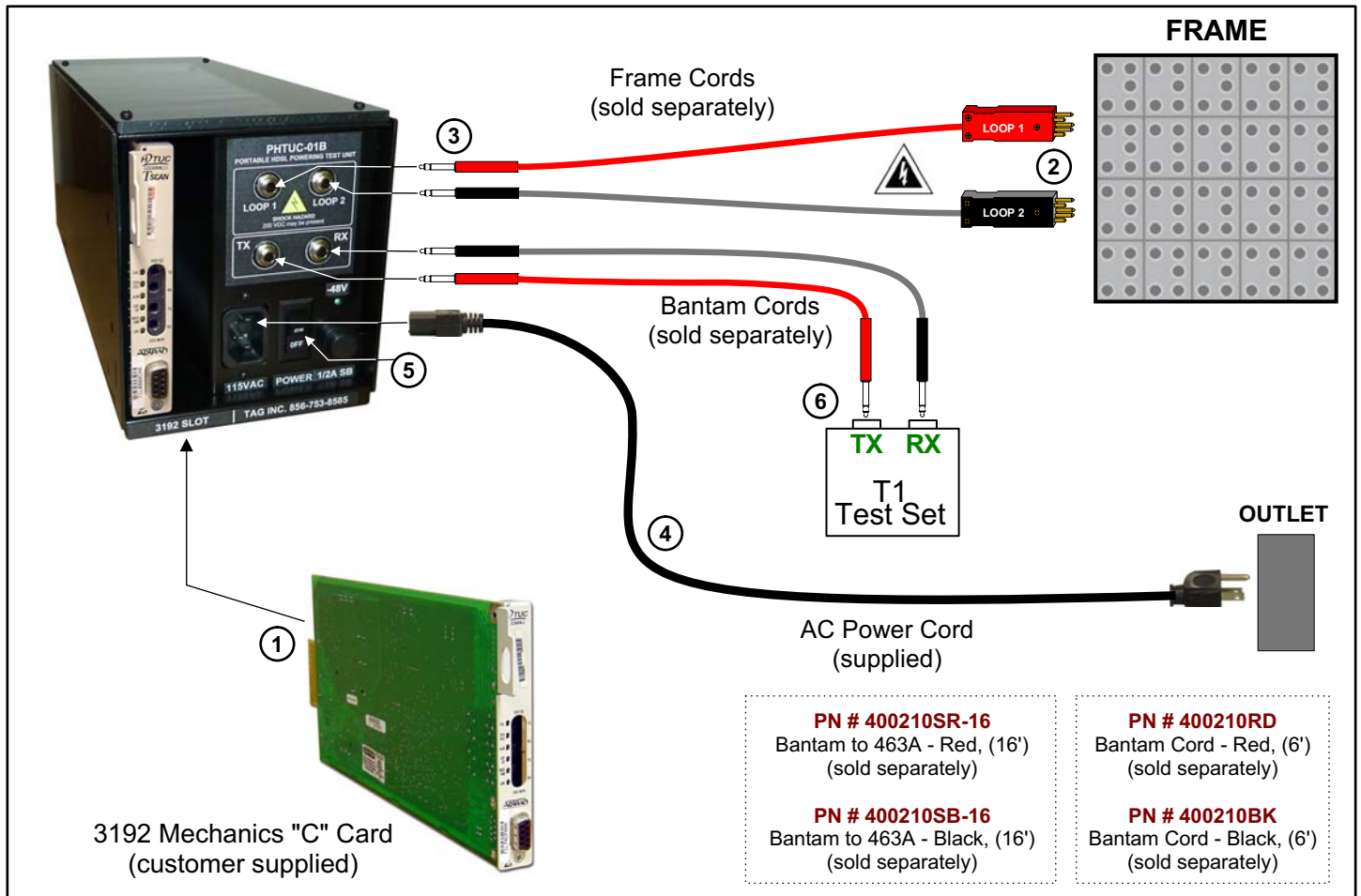
▶ OSP Application




1. Plug a 3192 Mechanics "C" Card (customer supplied) into PHTUC-01B Portable Powering Test Unit. Make sure that the card is firmly seated in the unit.
 2. Attach both sets of alligator clips on the Frame Cords to the circuit requiring power.
 3. Insert the bantams of the Frame Cords into the PHTUC-01B (Red - Loop 1, Black - Loop 2).
-  **Warning: High Voltage will appear on the plug ends when AC power is applied.**
4. Attach the supplied AC power cord to the PHTUC-01B and then plug it into an outlet.
 5. Flip the switch to the ON position on the PHTUC-01B.
 6. Connect Bantam Cords from a T1 Test Set into the PHTUC-01B. Begin testing remote HDSL equipment.

Portable "C" - HDSL Powering Test Unit w/ Bantam Jacks PHTUC-01B Practice

CO Application

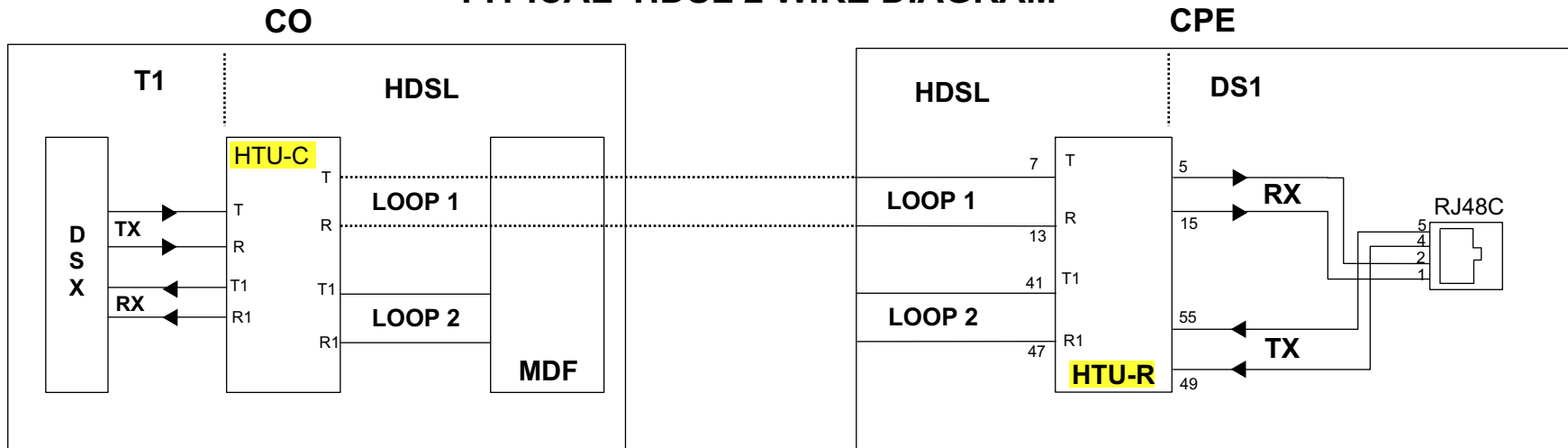


1. Plug a 3192 Mechanics "C" Card (customer supplied) into PHTUC-01B Portable Powering Test Unit. Make sure that the card is firmly seated in the unit.
 2. Insert the 463A plugs on the Frame Cords into the circuits you want to power.
 3. Insert the bantams of the Frame Cords into the PHTUC-01B (Red - Loop 1, Black - Loop 2).
-  **Warning: High Voltage will appear on the plug ends when AC power is applied.**
4. Attach the supplied AC power cord to the PHTUC-01B and then plug it into an outlet.
 5. Flip the switch to the ON position on the PHTUC-01B.
 6. Connect Bantam Cords from a T1 Test Set into the PHTUC-01B. Begin testing remote HDSL equipment.

Portable "C" - HDSL Powering Test Unit w/ Bantam Jacks PHTUC-01B Practice

► HDSL Wiring Diagrams

TYPICAL HDSL 2 WIRE DIAGRAM



TYPICAL HDSL 4 WIRE DIAGRAM

