

Remote Network Cable Tester CAT-107G Practice

CONTENTS:

1. GENERAL	1
2. APPLICATION	1
3. PROCEDURE	1
4. PRODUCT PROFILE	2
5. FEATURES & SPECIFICATIONS	3
6. STEP BY STEP TEST PROCEDURE	4-5
7. FAULT STATUS	6

2 APPLICATION

The CAT-107G is a small hand-held cable tester, which enables network professionals to quickly and easily verify the integrity of ethernet twisted pair cables for open pairs, shorted pairs, reversed pairs, crossed pairs and split pairs.

The tone generator function can be used to send a signal through installed cables which can be traced with most cable tracers on the market.

1 GENERAL

This practice describes TAG's Remote Network Cable Tester (CAT-107G). The CAT-107G enables network professionals to quickly and easily verify the integrity of CAT-5 cables.

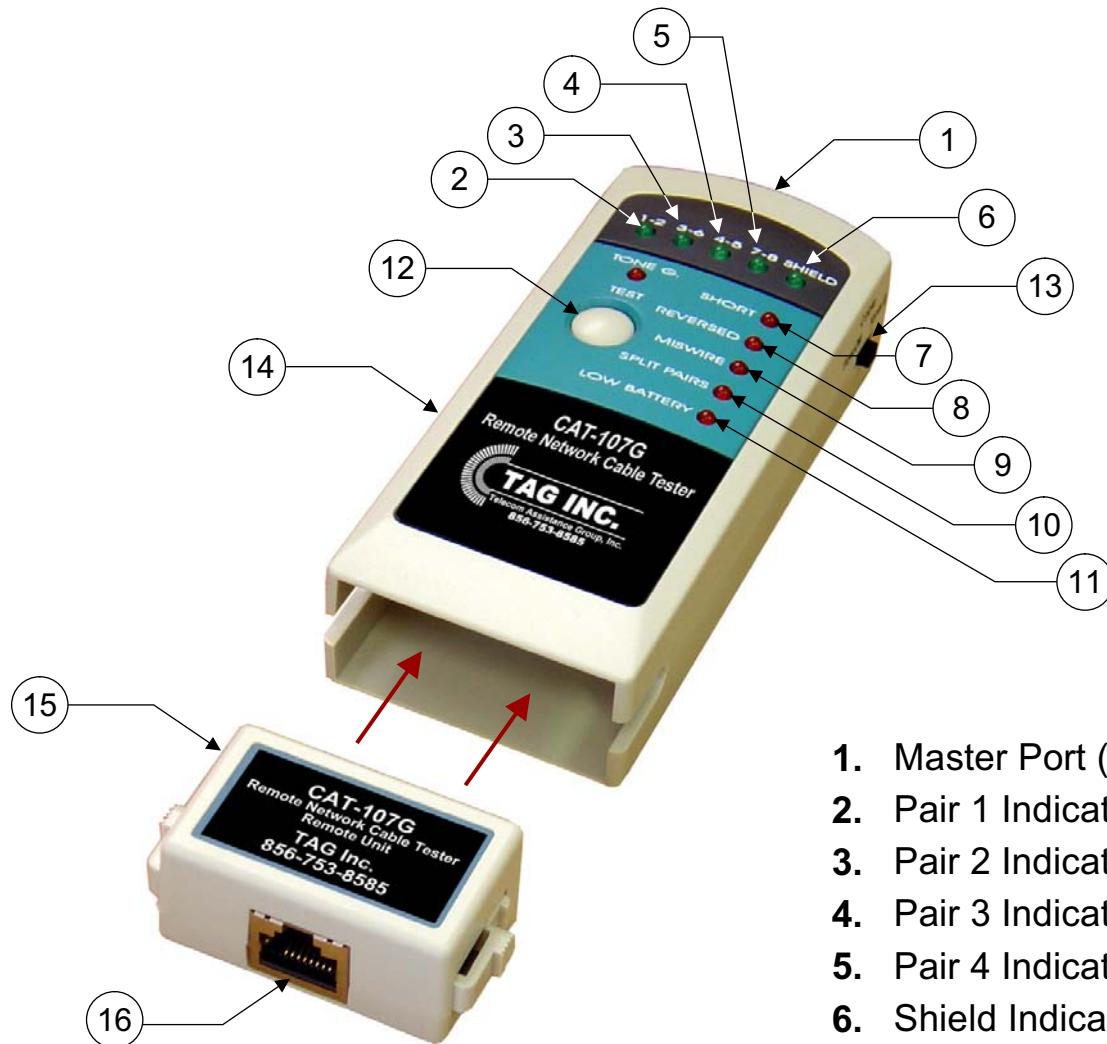
3 PROCEDURE

Push the TEST button and the CAT-107G will automatically scan for any existing faults in your cable. The specially designed remote terminator is provided for one-person testing of installed cables.

See Pages 4 - 5 for Step-by-Step Test Procedures.

Remote Network Cable Tester CAT-107G Practice

4 Product Profile



1. Master Port (RJ45)
2. Pair 1 Indicator
3. Pair 2 Indicator
4. Pair 3 Indicator
5. Pair 4 Indicator
6. Shield Indicator
7. Short Faults LED
8. Reversed Faults LED
9. Miswire Faults LED
10. Split Pairs LED
11. Low Battery Indicator
12. Test Button
13. ON/OFF Switch
14. Battery Cover
15. Remote Unit
16. Remote Test Port (RJ45)
17. Tone Indicator

Warning:

- Do not connect CAT-107G to a live circuit as it may damage the tester and interfere with a live network.
- Testing in a high frequency activated area may cause the tester to give inaccurate readings.
- Do not drop or get the tester wet as it may cause internal damage.
- Do not place tester in areas of high humidity or direct sunlight.
- Do not open the tester or attempt to repair in case of malfunction. Please send it back for repair or replacement.

Remote Network Cable Tester CAT-107G Practice

5 Features & Specifications

FEATURES

Cable Test Features:

- Displays:*
- Short
 - Reversed
 - Miswired
 - Split Pairs

Tone Generator* Features:

- Verification of Shield Integrity
- Puts Tracer Tone on Cable

** Tone Generator function requires customer supplied Cable Tracing Probe*

Additional Features:

- Specially designed Remote Unit that enables one person to test installed cables.
- Easy to read Fault Display and high speed testing.
- Debug mode for detailed fault identification results.
- Auto Sleep Mode and Power Off Switch to decrease power consumption.
- Low Battery Indicator

SPECIFICATIONS

Connectors:

CAT-107G Main Unit - RJ45 Jack
Remote Unit - RJ45 Jack

Pairs Tested:

1/2, 3/6, 4/5, 7/8 and Shield

LED Display:

Horizontal:

5 Green LED's for pair and shield display (1-2, 3-6, 4-5, and shield)

TONE G. LED

Vertical:

5 Red LED's for fault display and #ID display (OPEN, SHORT, REVERSED, MISWIRE, SPLIT PAIRS and LOW BATTERY)

Cable Test Length Limit:

Minimum: 0.4.m Maximum: Over 200m

Power:

CAT-107G:

(4) Four alkaline 1.5V AAA batteries

Remote Identifier:

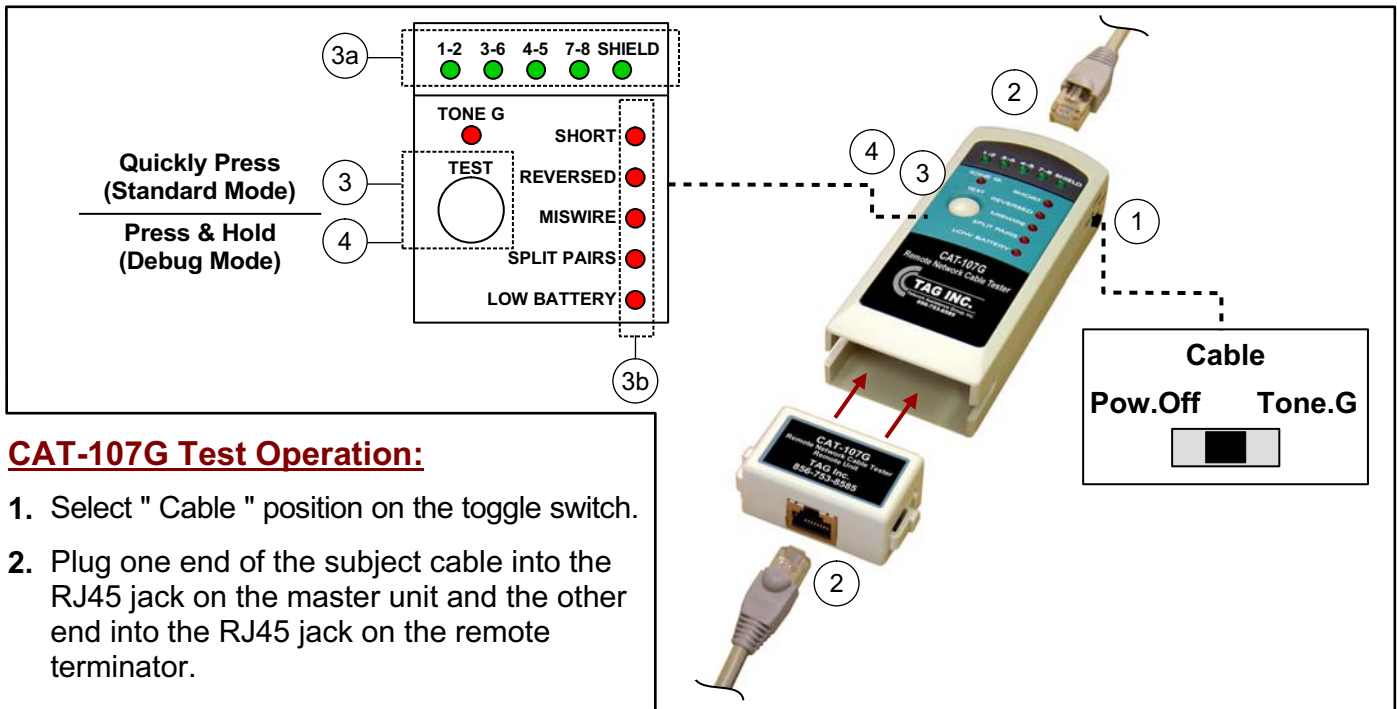
No battery required

Dimensions:

CAT-107G: 5" x 2" x 1.2" (L x W x H)

Remote Network Cable Tester CAT-107G Practice

6 Step by Step Test Procedure



CAT-107G Test Operation:

1. Select " Cable " position on the toggle switch.
2. Plug one end of the subject cable into the RJ45 jack on the master unit and the other end into the RJ45 jack on the remote terminator.

Note: The remote terminator can be slipped and locked into the master unit for convenient testing of patch cables.

3. Standard Test: Quickly push the TEST button and check the results:

- a. First, check the 5 horizontally aligned green LED indicators (1-2, 3-6, 4-5, 7-8, SHIELD) for integrity status:

Solid Light (Fig. 1):	Pair is Good
No Light (Fig. 1):	Pair is Open

- b. Simultaneously, check the 5 vertically aligned LED indicators (SHORT, REVERSED, MISWIRE, SPLIT PAIRS) for the wiring faults.

Note: Pairs are faulty if all of the lights rapidly flash from left to right during the standard test (not Debug Mode). If this occurs, check to see if the other end of the RJ45 is connected.

4. **Debug Mode:** For more detailed information about what faults are occurring in which pairs, **Press & Hold** the TEST button for 2 seconds to activate "Debug Mode." The cable tester will proceed to test each pair one by one from left to right.

Paused Solid Light (Fig. 2):	Pair is Good
Quick Flashing Light (Fig 2):	Pair is Open

Fig. 1 (Standard Test)

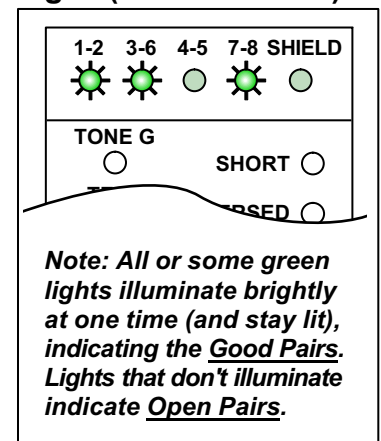
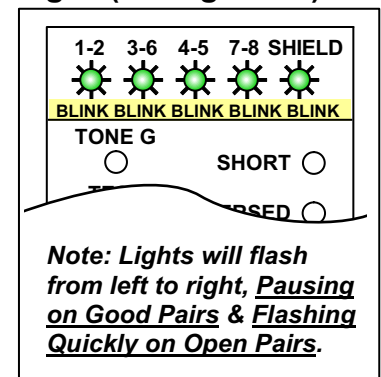
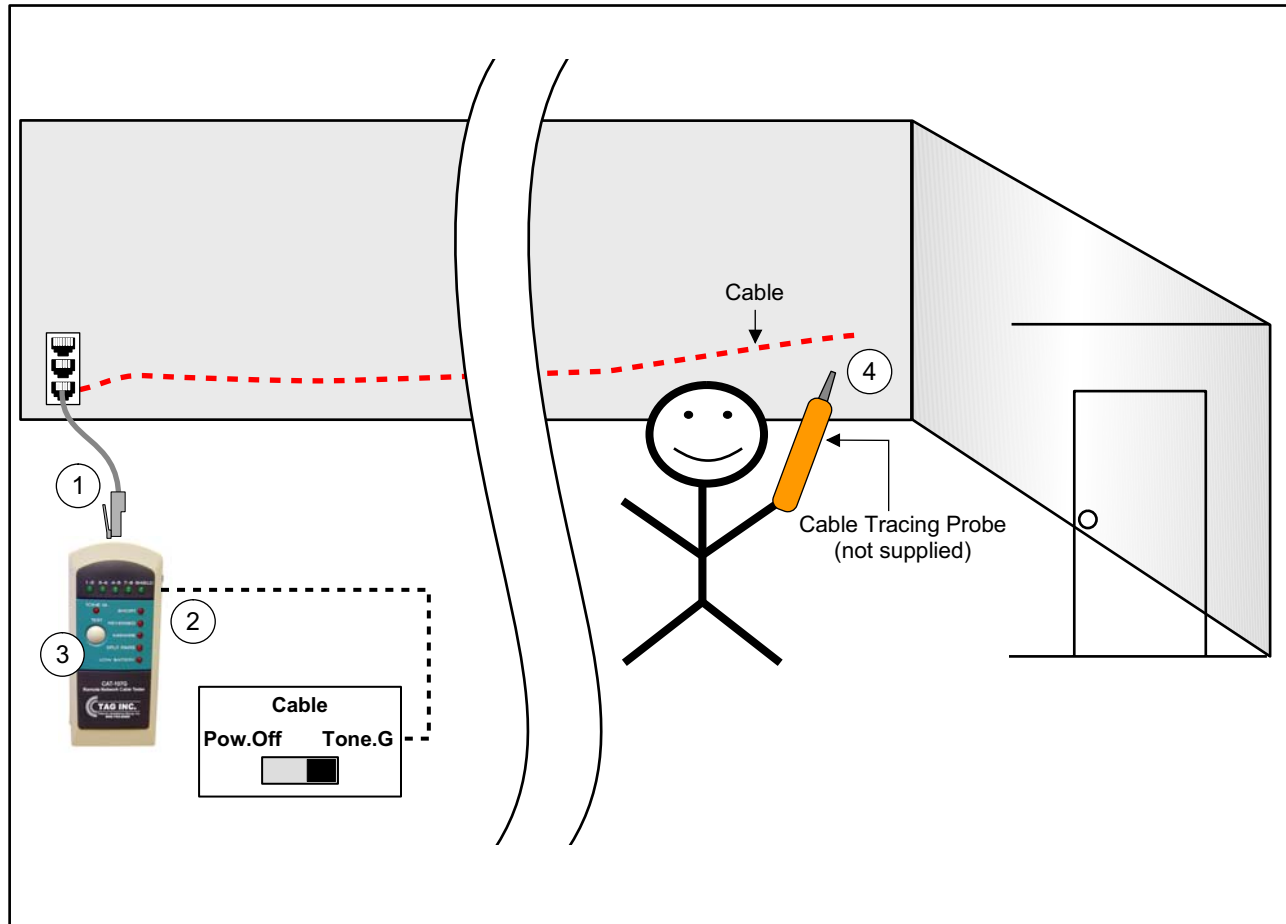


Fig. 2 (Debug Mode)



Remote Network Cable Tester CAT-107G Practice

6 Step by Step Test Procedure



CAT-107G Tone Generator Operation:

1. Plug the CAT-5 cable into CAT-107G unit.
2. Slide the toggle switch on the CAT-107G to the "Tone" position.
3. Quickly press the TEST button once for continuous tone mode, or hold down for two full seconds for warble tone mode. To change modes, switch tester off and restart.
4. Use a cable tracing probe (customer supplied) to trace the subject wire. Reception of tone will be loudest (amplifier) or brightest (LED) on the subject wire.

Remote Network Cable Tester CAT-107G Practice

7 Fault Status

Short		<table border="1" style="width: 100%; border-collapse: collapse;"> <tr> <td>1-2</td> <td>3-6</td> <td>4-5</td> <td>7-8</td> <td>SHIELD</td> </tr> <tr> <td><input type="radio"/></td> <td><input checked="" type="radio"/></td> <td><input type="radio"/></td> <td><input type="radio"/></td> <td><input type="radio"/></td> </tr> <tr> <td colspan="5">TONE G</td> </tr> <tr> <td><input type="radio"/></td> <td colspan="4">SHORT <input checked="" type="radio"/></td> </tr> <tr> <td colspan="5">TEST</td> </tr> <tr> <td><input type="radio"/></td> <td colspan="4">REVERSED <input type="radio"/></td> </tr> <tr> <td><input type="radio"/></td> <td colspan="4">MISWIRE <input type="radio"/></td> </tr> <tr> <td><input type="radio"/></td> <td colspan="4">SPLIT PAIRS <input type="radio"/></td> </tr> <tr> <td><input type="radio"/></td> <td colspan="4">LOW BATTERY <input type="radio"/></td> </tr> </table>	1-2	3-6	4-5	7-8	SHIELD	<input type="radio"/>	<input checked="" type="radio"/>	<input type="radio"/>	<input type="radio"/>	<input type="radio"/>	TONE G					<input type="radio"/>	SHORT <input checked="" type="radio"/>				TEST					<input type="radio"/>	REVERSED <input type="radio"/>				<input type="radio"/>	MISWIRE <input type="radio"/>				<input type="radio"/>	SPLIT PAIRS <input type="radio"/>				<input type="radio"/>	LOW BATTERY <input type="radio"/>			
1-2	3-6	4-5	7-8	SHIELD																																											
<input type="radio"/>	<input checked="" type="radio"/>	<input type="radio"/>	<input type="radio"/>	<input type="radio"/>																																											
TONE G																																															
<input type="radio"/>	SHORT <input checked="" type="radio"/>																																														
TEST																																															
<input type="radio"/>	REVERSED <input type="radio"/>																																														
<input type="radio"/>	MISWIRE <input type="radio"/>																																														
<input type="radio"/>	SPLIT PAIRS <input type="radio"/>																																														
<input type="radio"/>	LOW BATTERY <input type="radio"/>																																														
Open		<table border="1" style="width: 100%; border-collapse: collapse;"> <tr> <td>1-2</td> <td>3-6</td> <td>4-5</td> <td>7-8</td> <td>SHIELD</td> </tr> <tr> <td><input type="radio"/></td> <td><input type="radio"/></td> <td><input checked="" type="radio"/></td> <td><input checked="" type="radio"/></td> <td><input type="radio"/></td> </tr> <tr> <td colspan="5">TONE G</td> </tr> <tr> <td><input type="radio"/></td> <td colspan="4">SHORT <input type="radio"/></td> </tr> <tr> <td colspan="5">TEST</td> </tr> <tr> <td><input type="radio"/></td> <td colspan="4">REVERSED <input type="radio"/></td> </tr> <tr> <td><input type="radio"/></td> <td colspan="4">MISWIRE <input type="radio"/></td> </tr> <tr> <td><input type="radio"/></td> <td colspan="4">SPLIT PAIRS <input type="radio"/></td> </tr> <tr> <td><input type="radio"/></td> <td colspan="4">LOW BATTERY <input type="radio"/></td> </tr> </table>	1-2	3-6	4-5	7-8	SHIELD	<input type="radio"/>	<input type="radio"/>	<input checked="" type="radio"/>	<input checked="" type="radio"/>	<input type="radio"/>	TONE G					<input type="radio"/>	SHORT <input type="radio"/>				TEST					<input type="radio"/>	REVERSED <input type="radio"/>				<input type="radio"/>	MISWIRE <input type="radio"/>				<input type="radio"/>	SPLIT PAIRS <input type="radio"/>				<input type="radio"/>	LOW BATTERY <input type="radio"/>			
1-2	3-6	4-5	7-8	SHIELD																																											
<input type="radio"/>	<input type="radio"/>	<input checked="" type="radio"/>	<input checked="" type="radio"/>	<input type="radio"/>																																											
TONE G																																															
<input type="radio"/>	SHORT <input type="radio"/>																																														
TEST																																															
<input type="radio"/>	REVERSED <input type="radio"/>																																														
<input type="radio"/>	MISWIRE <input type="radio"/>																																														
<input type="radio"/>	SPLIT PAIRS <input type="radio"/>																																														
<input type="radio"/>	LOW BATTERY <input type="radio"/>																																														
Reversed		<table border="1" style="width: 100%; border-collapse: collapse;"> <tr> <td>1-2</td> <td>3-6</td> <td>4-5</td> <td>7-8</td> <td>SHIELD</td> </tr> <tr> <td><input type="radio"/></td> <td><input type="radio"/></td> <td><input type="radio"/></td> <td><input checked="" type="radio"/></td> <td><input type="radio"/></td> </tr> <tr> <td colspan="5">TONE G</td> </tr> <tr> <td><input type="radio"/></td> <td colspan="4">SHORT <input type="radio"/></td> </tr> <tr> <td colspan="5">TEST</td> </tr> <tr> <td><input type="radio"/></td> <td colspan="4">REVERSED <input checked="" type="radio"/></td> </tr> <tr> <td><input type="radio"/></td> <td colspan="4">MISWIRE <input type="radio"/></td> </tr> <tr> <td><input type="radio"/></td> <td colspan="4">SPLIT PAIRS <input type="radio"/></td> </tr> <tr> <td><input type="radio"/></td> <td colspan="4">LOW BATTERY <input type="radio"/></td> </tr> </table>	1-2	3-6	4-5	7-8	SHIELD	<input type="radio"/>	<input type="radio"/>	<input type="radio"/>	<input checked="" type="radio"/>	<input type="radio"/>	TONE G					<input type="radio"/>	SHORT <input type="radio"/>				TEST					<input type="radio"/>	REVERSED <input checked="" type="radio"/>				<input type="radio"/>	MISWIRE <input type="radio"/>				<input type="radio"/>	SPLIT PAIRS <input type="radio"/>				<input type="radio"/>	LOW BATTERY <input type="radio"/>			
1-2	3-6	4-5	7-8	SHIELD																																											
<input type="radio"/>	<input type="radio"/>	<input type="radio"/>	<input checked="" type="radio"/>	<input type="radio"/>																																											
TONE G																																															
<input type="radio"/>	SHORT <input type="radio"/>																																														
TEST																																															
<input type="radio"/>	REVERSED <input checked="" type="radio"/>																																														
<input type="radio"/>	MISWIRE <input type="radio"/>																																														
<input type="radio"/>	SPLIT PAIRS <input type="radio"/>																																														
<input type="radio"/>	LOW BATTERY <input type="radio"/>																																														
Miswire*		<table border="1" style="width: 100%; border-collapse: collapse;"> <tr> <td>1-2</td> <td>3-6</td> <td>4-5</td> <td>7-8</td> <td>SHIELD</td> </tr> <tr> <td><input checked="" type="radio"/></td> <td><input checked="" type="radio"/></td> <td><input type="radio"/></td> <td><input type="radio"/></td> <td><input type="radio"/></td> </tr> <tr> <td colspan="5">TONE G</td> </tr> <tr> <td><input type="radio"/></td> <td colspan="4">SHORT <input type="radio"/></td> </tr> <tr> <td colspan="5">TEST</td> </tr> <tr> <td><input type="radio"/></td> <td colspan="4">REVERSED <input type="radio"/></td> </tr> <tr> <td><input type="radio"/></td> <td colspan="4">MISWIRE <input checked="" type="radio"/></td> </tr> <tr> <td><input type="radio"/></td> <td colspan="4">SPLIT PAIRS <input type="radio"/></td> </tr> <tr> <td><input type="radio"/></td> <td colspan="4">LOW BATTERY <input type="radio"/></td> </tr> </table>	1-2	3-6	4-5	7-8	SHIELD	<input checked="" type="radio"/>	<input checked="" type="radio"/>	<input type="radio"/>	<input type="radio"/>	<input type="radio"/>	TONE G					<input type="radio"/>	SHORT <input type="radio"/>				TEST					<input type="radio"/>	REVERSED <input type="radio"/>				<input type="radio"/>	MISWIRE <input checked="" type="radio"/>				<input type="radio"/>	SPLIT PAIRS <input type="radio"/>				<input type="radio"/>	LOW BATTERY <input type="radio"/>			
1-2	3-6	4-5	7-8	SHIELD																																											
<input checked="" type="radio"/>	<input checked="" type="radio"/>	<input type="radio"/>	<input type="radio"/>	<input type="radio"/>																																											
TONE G																																															
<input type="radio"/>	SHORT <input type="radio"/>																																														
TEST																																															
<input type="radio"/>	REVERSED <input type="radio"/>																																														
<input type="radio"/>	MISWIRE <input checked="" type="radio"/>																																														
<input type="radio"/>	SPLIT PAIRS <input type="radio"/>																																														
<input type="radio"/>	LOW BATTERY <input type="radio"/>																																														
Split		<table border="1" style="width: 100%; border-collapse: collapse;"> <tr> <td>1-2</td> <td>3-6</td> <td>4-5</td> <td>7-8</td> <td>SHIELD</td> </tr> <tr> <td><input type="radio"/></td> <td><input checked="" type="radio"/></td> <td><input checked="" type="radio"/></td> <td><input type="radio"/></td> <td><input type="radio"/></td> </tr> <tr> <td colspan="5">TONE G</td> </tr> <tr> <td><input type="radio"/></td> <td colspan="4">SHORT <input type="radio"/></td> </tr> <tr> <td colspan="5">TEST</td> </tr> <tr> <td><input type="radio"/></td> <td colspan="4">REVERSED <input type="radio"/></td> </tr> <tr> <td><input type="radio"/></td> <td colspan="4">MISWIRE <input type="radio"/></td> </tr> <tr> <td><input type="radio"/></td> <td colspan="4">SPLIT PAIRS <input checked="" type="radio"/></td> </tr> <tr> <td><input type="radio"/></td> <td colspan="4">LOW BATTERY <input type="radio"/></td> </tr> </table>	1-2	3-6	4-5	7-8	SHIELD	<input type="radio"/>	<input checked="" type="radio"/>	<input checked="" type="radio"/>	<input type="radio"/>	<input type="radio"/>	TONE G					<input type="radio"/>	SHORT <input type="radio"/>				TEST					<input type="radio"/>	REVERSED <input type="radio"/>				<input type="radio"/>	MISWIRE <input type="radio"/>				<input type="radio"/>	SPLIT PAIRS <input checked="" type="radio"/>				<input type="radio"/>	LOW BATTERY <input type="radio"/>			
1-2	3-6	4-5	7-8	SHIELD																																											
<input type="radio"/>	<input checked="" type="radio"/>	<input checked="" type="radio"/>	<input type="radio"/>	<input type="radio"/>																																											
TONE G																																															
<input type="radio"/>	SHORT <input type="radio"/>																																														
TEST																																															
<input type="radio"/>	REVERSED <input type="radio"/>																																														
<input type="radio"/>	MISWIRE <input type="radio"/>																																														
<input type="radio"/>	SPLIT PAIRS <input checked="" type="radio"/>																																														
<input type="radio"/>	LOW BATTERY <input type="radio"/>																																														

* Cross over cables will show pairs 1-2, 3-6 miswired