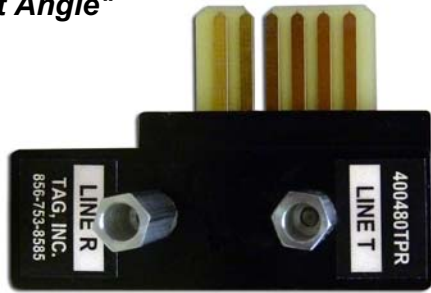


D4 Channel Break-Out Plugs w/ Test Points

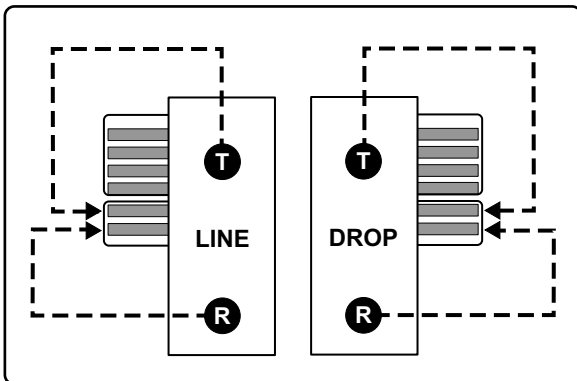
"Right Angle"



PN # 400480TPR
D4 Channel (R/A)
Break-Out Plug
w/ Test Points



Wiring Details:



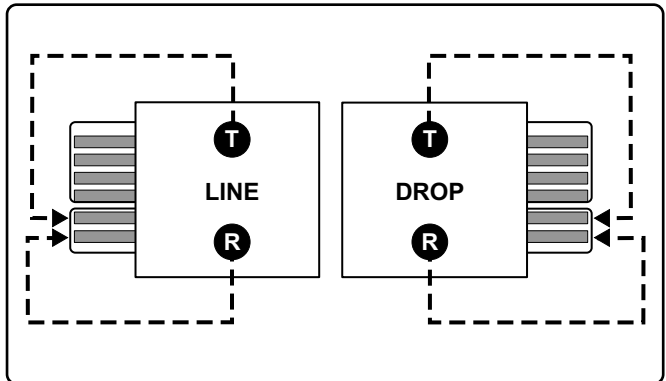
"Straight"



PN # 400480TPS
D4 Channel (Straight)
Break-Out Plug
w/ Test Points



Wiring Details:



Ordering Information:

400480TPR

**D4 Channel (R/A) Break-Out Plug
w/ Test Points**

Call for Pricing

400480TPS

**D4 Channel (Straight) Break-Out Plug
w/ Test Points**

150 Cooper Rd. (F-15)
W. Berlin, NJ 08091

www.tagcords.com

Telephone: (856) 753-8585
Fax: (856) 768-7645

Telecom Assistance Group