

TT-DCAP Quick Guide

QUICK GUIDE FOR DMS (DUAL SESSION) SWITCH ACCESS TERMINALS PN # TT-DCAP-DMSKIT & TT-DCAP-DMSKIT2

CONTENTS:

TERMINAL KIT CONFIGURATION FOR DMS SWITCH ACCESS	Page	1
TERMINAL COMMAND KEYS	Page	2
GENERAL SETTINGS NOTE	Page	3
TERMINAL SETUP	Page	4
CHANGING THE SERIAL PORT SETTINGS	Page	5
CHANGING THE SCREEN DISPLAY TO FULL OR SPLIT SCREEN	Page	6
PROGRAMMING FUNCTION KEYS	Page	7
CHANGING THE SCREEN TITLE	Page	8
DMS DEFAULT SETTINGS	Page	9
NOTES & TIPS	Pgs.	10-17
DMS CURRENT LOOP INSTALLATION NOTES.....	Pgs.	11-15
UPGRADED IOM LOOP INSTALLATION NOTES.....	Pgs.	16-17

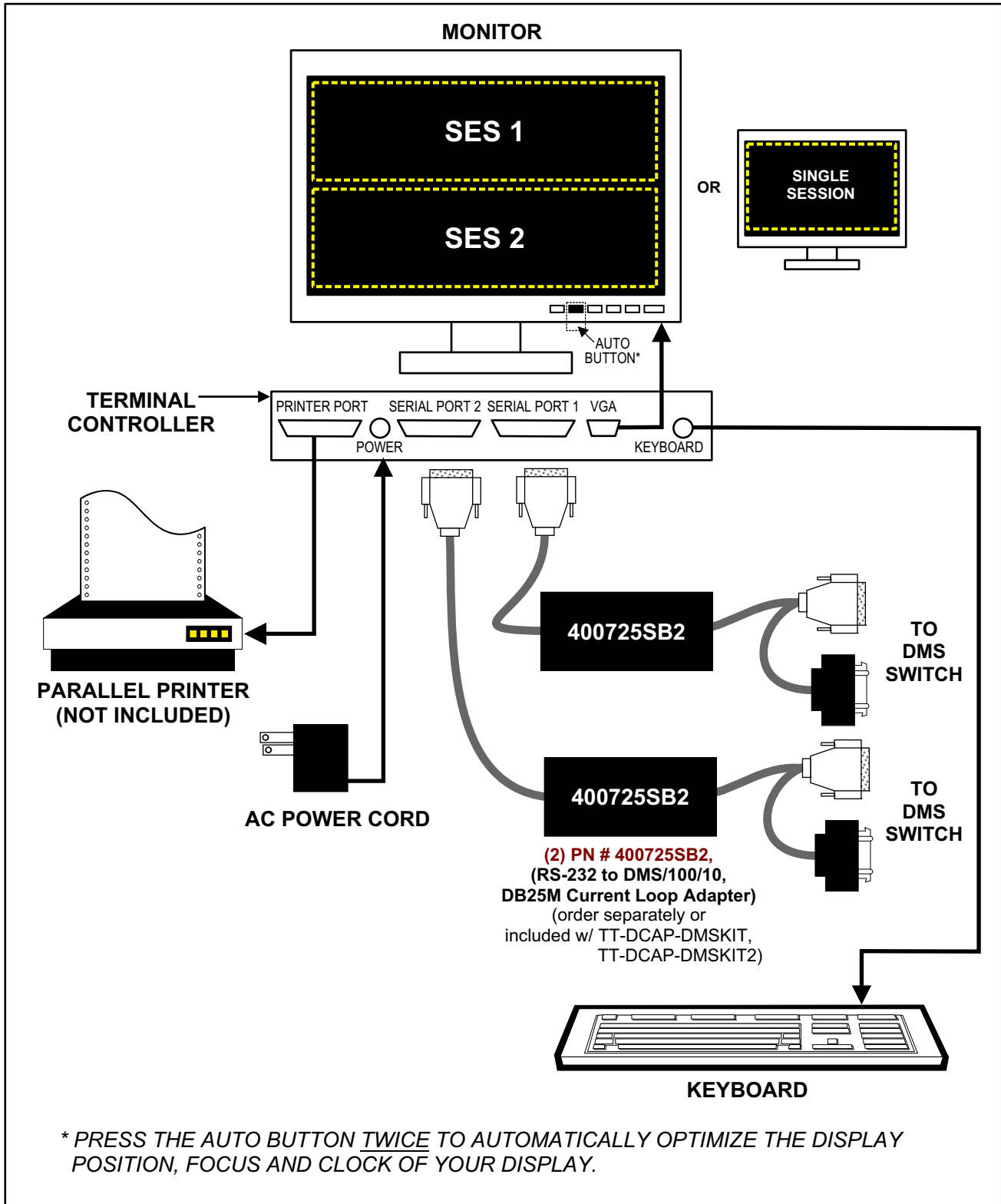


TT-DCAP Quick Guide

TERMINAL KIT CONFIGURATION FOR DMS SWITCH ACCESS

PN # TT-DCAP-DMSKIT & TT-DCAP-DMSKIT2

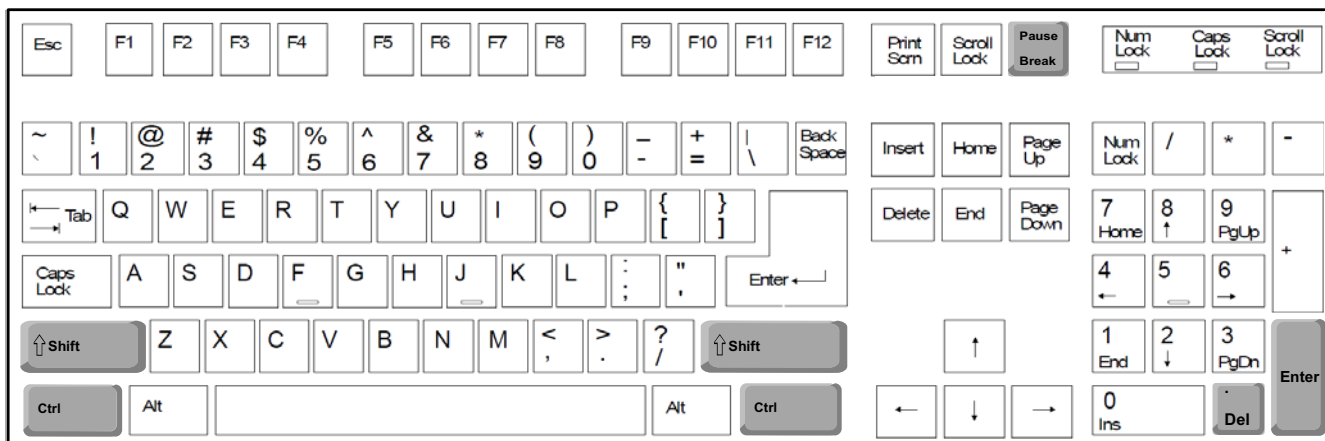
FIGURE 1

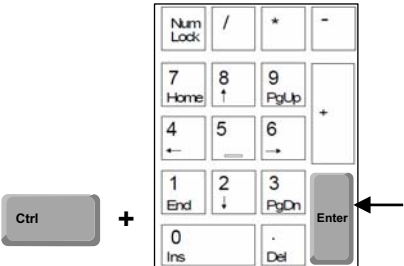
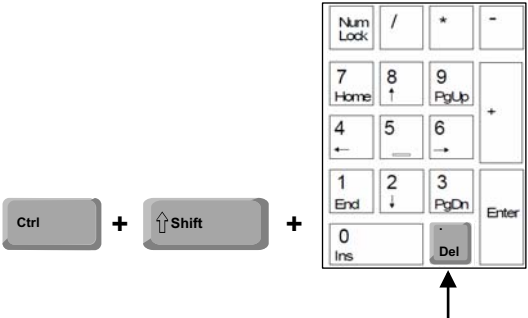



TT-DCAP Quick Guide

TERMINAL COMMAND KEYS

FIGURE 2



<p>SWITCH SESSIONS (for dual sessions only)</p>	<p>Press Ctrl + Enter (Enter on the Number Pad)</p> 
<p>PRINT</p>	<p>Press Ctrl + Shift + . (Decimal on the Number Pad)</p> 
<p>SEND BREAK</p>	<p>Press Ctrl + Pause/Break Key</p> 

TT-DCAP Quick Guide

GENERAL SETTINGS NOTE

Terminals are supplied pre-configured for your DMS switch. Some local settings may need to be adjusted. Example: Baud Rate, Function Keys etc.

The following pages show how to make adjustments to the terminal when required.

TT-DCAP Quick Guide

TERMINAL SETUP

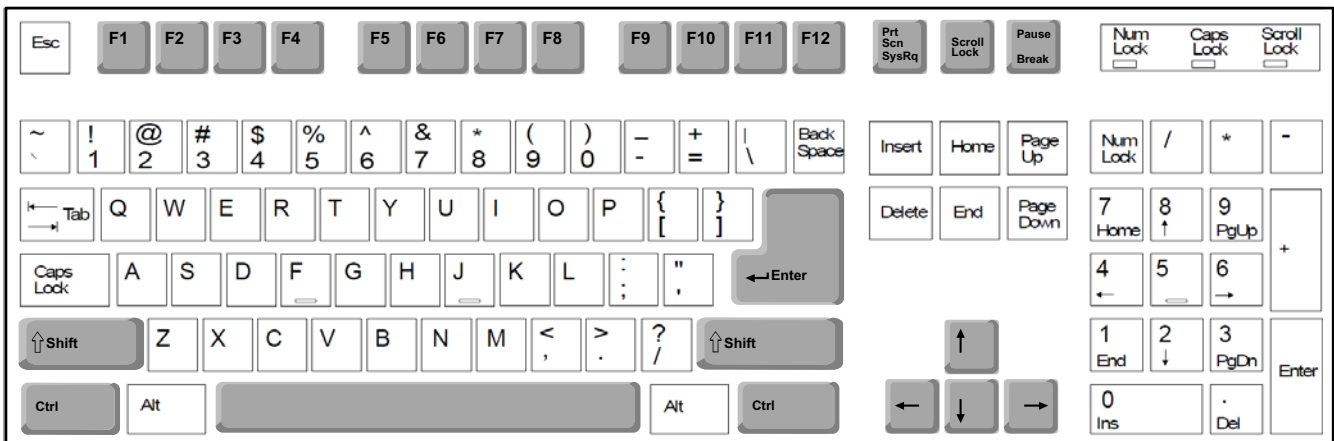
FIGURE 3

PARAMETERS →

CHOICES →

SESSION →

FIGURE 4



ENTER SETUP SCREEN	Press Ctrl + Scroll Lock +
SELECT MENU	Press F1 - Prt Scn <i>(see pg.9 for DMS Default Setup)</i>
NAVIGATE PARAMETERS	Press the Arrow Keys
NAVIGATE CHOICES	Press Enter or Spacebar (moves forward) or
	Press Shift + Enter (moves backward) +
EXIT SETUP SCREEN	Press the Pause/Break Key (when prompted to "Save all", press Y key to Save or N key to discard)

TT-DCAP Quick Guide

CHANGING THE SERIAL PORT SETTINGS

FIGURE 5A

F1	F2	F3	F4	F5	F6	F7	F8	F9	F10	F11	F12	PrtSc
Quick	Genrl	Displ	Kybd	Keys	Ports	Host	Print	Emul	Tabs	AnsBk	Prog	Exec
<div style="text-align: center;">Parameters</div> <div style="display: flex; justify-content: space-between;"> <div style="width: 30%;"> Emulation=VT-100 Comm Mode=Full Duplex Enhanced=On Host/Printer=SER1/Para </div> <div style="width: 30%; border: 1px solid black; padding: 2px;"> SER1 Baud Rate = 9600 </div> <div style="width: 30%;"> SER1 Data Format=8/1/N </div> </div> <div style="display: flex; justify-content: space-between; margin-top: 10px;"> <div style="width: 30%;"> SER2 Baud Rate=9600 Language=U.S. </div> <div style="width: 30%;"> SER2 Data Format=8/1/N </div> <div style="width: 30%;"> Sessions=Two </div> </div>												
<div style="text-align: center;">Choices</div> <div style="display: flex; justify-content: space-around; align-items: center;"> 300 600 1200 2400 4800 <div style="border: 1px solid black; padding: 2px;">9600</div> 19200 </div>												
<div style="text-align: center;">Select</div> <div style="display: flex; justify-content: space-between;"> ↑→↓← : Parameter Enter/S-Enter : Next/Prev Choice Exit : Pause Key </div>												
<div style="text-align: center;">Session 1 Press <Control> <EnterKpd> to Toggle Session</div>												

1. Press the **F1** button

FOR SESSION 1

2. Use the **Arrow Keys** to move to **SER1 Baud Rate (SER1 = Serial Port 1)**
3. Press **Enter** or **Spacebar** until the correct **Choice** is highlighted (9600 for DMS)
4. Use the **Arrow Keys** to move over to **SER1 Data Format**
5. Press **Enter** or **Spacebar** until the correct **Choice** is highlighted (8/1/N for DMS)
6. Press **<Control> <EnterKpd>** to Toggle to Session 2 (see page 2 - "Switching Sessions")

FIGURE 5B

F1	F2	F3	F4	F5	F6	F7	F8	F9	F10	F11	F12	PrtSc
Quick	Genrl	Displ	Kybd	Keys	Ports	Host	Print	Emul	Tabs	AnsBk	Prog	Exec
<div style="text-align: center;">Parameters</div> <div style="display: flex; justify-content: space-between;"> <div style="width: 30%;"> Emulation=VT-100 Comm Mode=Full Duplex Enhanced=On Host/Printer=SER2/Para </div> <div style="width: 30%; border: 1px solid black; padding: 2px;"> SER1 Baud Rate = 9600 </div> <div style="width: 30%;"> SER1 Data Format=8/1/N </div> </div> <div style="display: flex; justify-content: space-between; margin-top: 10px;"> <div style="width: 30%; border: 1px solid black; padding: 2px;"> SER2 Baud Rate=9600 </div> <div style="width: 30%;"> SER2 Data Format=8/1/N </div> <div style="width: 30%;"> Sessions=Two </div> </div>												
<div style="text-align: center;">Choices</div> <div style="display: flex; justify-content: space-around; align-items: center;"> 300 600 1200 2400 4800 <div style="border: 1px solid black; padding: 2px;">9600</div> 19200 </div>												
<div style="text-align: center;">Select</div> <div style="display: flex; justify-content: space-between;"> ↑→↓← : Parameter Enter/S-Enter : Next/Prev Choice Exit : Pause Key </div>												
<div style="text-align: center;">Session 2 Press <Control> <EnterKpd> to Toggle Session</div>												

FOR SESSION 2

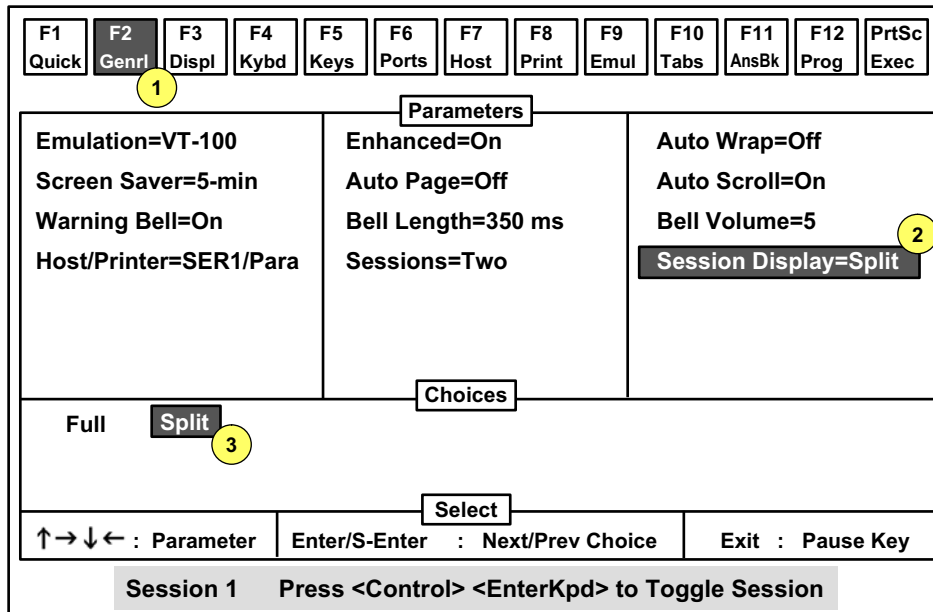
7. Use the **Arrow Keys** to move to **SER2 Baud Rate (SER2 = Serial Port 2)**
8. Press **Enter** or **Spacebar** until the correct **Choice** is highlighted (9600 for DMS)
9. When finished, press the **Pause Key** at the top right of the keyboard
10. When prompted with "Save all?", click **Y** to save the new **Parameters**

TT-DCAP Quick Guide

CHANGING THE SCREEN DISPLAY TO FULL OR SPLIT SCREEN*

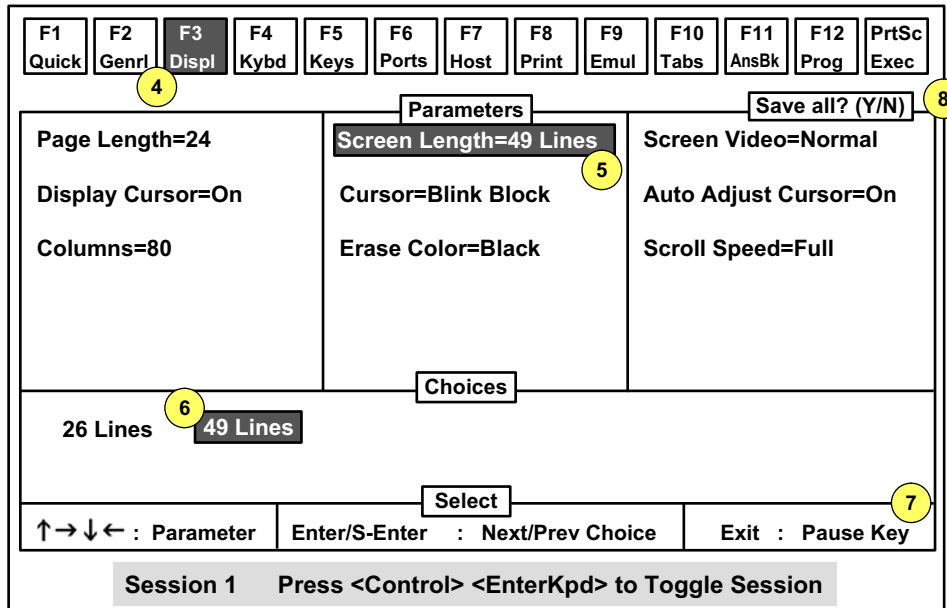
**Note: Applies to dual sessions only.*

FIGURE 6



1. Press the **F2** button
2. Use the **Arrow Keys** to move over to **Session Display**
3. Press **Enter** or **Spacebar** until the correct **Choice** is highlighted (Full / Split)

FIGURE 7



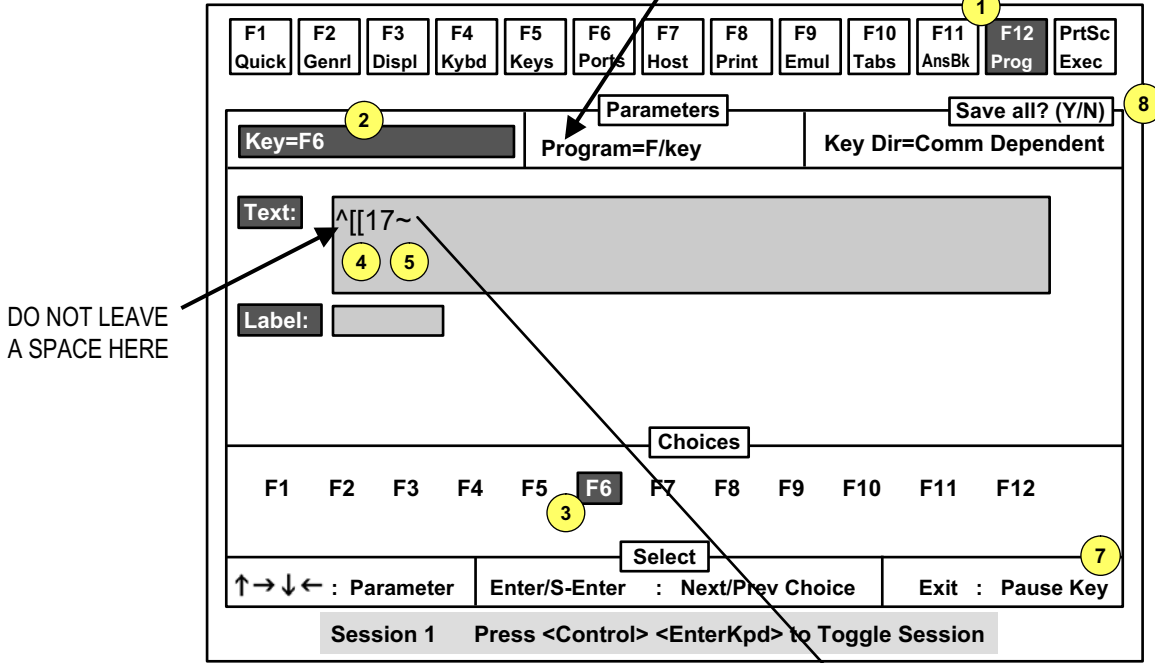
4. Press the **F3** button
5. Use the **Arrow Keys** to move over to **Screen Length**
6. Press **Enter** or **Spacebar** until the correct **Choice** is highlighted (49 Lines for Split Screen) (26 Lines for Full Screen)
7. When finished, press the **Pause Key** at the top right of the keyboard
8. When prompted with "**Save all?**", click **Y** to save the new **Parameter**

TT-DCAP Quick Guide

PROGRAMMING FUNCTION KEYS*

*Each function key has (4) programmable registers per session such as **F/key**, **sh-F/key**, **ctrl-F/key** & **ctrl-sh-F/key**
 (These can be selected from the "Choices" located in the **"Program"** Parameter)

FIGURE 8



1. Press the **F12** button
2. The cursor will appear in the "Key" Field with F1 as the default (**DO NOT** change F1-F4)
3. Select a new function key to program by pressing **Enter** or **Spacebar** until the correct **Choice** is highlighted (for example choose F6)
4. Arrow down to move to the "Text" Field
5. Type in the "Function" for the key. CAUTION: The first character in the Text Field cannot be left blank
Example: To program **ESC**[17~ Type: **Shift+6** [[17 **Shift+`** = (^[[17~)
6. To program another function, arrow back up to the "Key" Field & repeat steps 3-5
7. When finished, press the **Pause Key** at the top right of the keyboard
8. When prompted with "**Save all?**", click **Y** to save the new **Parameter**

DO NOT CHANGE THE FUNCTIONS OF F1, F2, F3 & F4

TT-DCAP Quick Guide

CHANGING THE SCREEN TITLE

Note: This will change the title at the top of each Session.

FIGURE 9A

F1 Quick	F2 Genrl	F3 Displ	F4 Kybd	F5 Keys	F6 Ports	F7 Host	F8 Print	F9 Emul	F10 Tabs	F11 AnsBk	F12 Prog	PrtSc Exec
Parameters												
Answerback Mode=Off				Answerback Conceal								
Answerback Message: <input style="width: 90%;" type="text"/>												
2		Screen Title: <input style="width: 98%;" type="text" value="TT-DCAP 1_"/>										3
Choices												
<Backspace> : Delete Character <Shift><Backspace> : Default Field												
Select												
↑→↓← : Parameter			Enter/S-Enter : Next/Prev Choice						Exit : Pause Key			
4		Session 1 Press <Control> <EnterKpd> to Toggle Session										

DISPLAY ON MONITOR

1. Press the **F11** button
- FOR SESSION 1**
2. Use the **Arrow Keys** to move the cursor down to **Screen Title**
3. Type in a Title for Session 1 (Example: TT-DCAP 1)
4. Press **<Control> <EnterKpd>** to **Toggle to Session 2** (see page 2 - "Switching Sessions")

FIGURE 9B

F1 Quick	F2 Genrl	F3 Displ	F4 Kybd	F5 Keys	F6 Ports	F7 Host	F8 Print	F9 Emul	F10 Tabs	F11 AnsBk	F12 Prog	PrtSc Exec	
Parameters													
Answerback Mode=Off				Answerback Conceal									Save all? (Y/N) 8
Answerback Message: <input style="width: 90%;" type="text"/>													
5		Screen Title: <input style="width: 98%;" type="text" value="TT-DCAP 2_"/>										6	
Choices													
<Backspace> : Delete Character <Shift><Backspace> : Default Field													
Select													
↑→↓← : Parameter			Enter/S-Enter : Next/Prev Choice						Exit : Pause Key 7				
7		Session 2 Press <Control> <EnterKpd> to Toggle Session											

DISPLAY ON MONITOR

- FOR SESSION 2**
5. Use the **Arrow Keys** to move the cursor down to **Screen Title**
6. Type in a Title for Session 2 (Example: TT-DCAP 2)
7. When finished, press the **Pause Key** at the top right of the keyboard
8. When prompted with "Save all?", click **Y** to save the new **Parameters**

TT-DCAP Quick Guide

DMS DEFAULT SETTINGS*

***Note:** When using Dual Sessions, parameters must be set for both sessions.

Note: Items in **Bold** may require Local Settings.

FIGURE 10

Menu	Key	Parameters Available (Not all will display for a given emulation, keyboard, or video mode)		
Quick	F1	Emulation = VT-100 Comm Mode = Full Duplex Enhanced = On Host/Printer = SER1/Para SER2/Para	SER1 Baud Rate = 9600 SER2 Baud Rate = 9600 Language = U.S.	SER1 Data Format = 8/1/N SER2 Data Format = 8/1/N Sessions = Two
General	F2	Emulation = VT-100 Screen Saver = 5-min Warning Bell = On Host/Printer = SER1/Para SER2/Para	Enhanced = On Auto Page = Off Bell Length = 350 ms Sessions = Two	Auto Wrap = Off Auto Scroll = On Bell Volume = 5 Session Display=Split
Display	F3	Page Length = 24 Display Cursor = On Columns = 80	Screen Length = 49 Lines Cursor = Blink Block Erase Color = Black	Screen Video = Normal Auto Adjust Cursor = On Scroll Speed = Full
Keyboard	F4	Language = U.S. Key Click = On Num Lock = Toggle	Char Set Mode = ANSI Key Repeat = On Key Lock = Reverse	Margin Bell = Off Key Rate = 20 cps Caps Lock = Toggle
Keys	F5	Enter Key = <CR> Alt Key = Compose UDKS = Emul Dependent	Return Key = <CR> Disconnect = Pause	Backspace = <BS>/ Return Key Repeat = Off
Ports	F6	SER1 Baud Rate = 9600 SER2 Baud Rate = 9600 SER1 Xmt = Xon-Xoff SER2 Xmt = Xon-Xoff SER1 Break = 250 ms SER2 Break = 250 ms	SER1 Data Format = 8/1/N SER2 Data Format = 8/1/N SER1 Recv = Xon-Xoff(XPC) SER2 Recv = Xon-Xoff(XPC) SER1 Modem Control = Off SER2 Modem Control = Off	SER1 Parity Check = Off SER2 Parity Check = Off SER1 Xmt Pace = Baud SER2 Xmt Pace = Baud SER1 Disconnect = 2 sec SER2 Disconnect = 2 sec
Host	F7	Comm Mode = Full Duplex Recv = Ignore Send Region = Screen	Local = Off Null Suppress = On Send End = Region	Recv <CR> = <CR> Send Block Term = None
Print	F8	Prnt Mode = Normal	Prnt Region = Screen	Prnt Block = None
Emulation	F9	Numeric Kpd = Numeric ANSI-ID = VT320 Status Line = Indicator	Cursor Kpd = Cursor Feature Lock = Off	Send Data = All Function Key Lock = Off
Tabs	F10	Auto Init Tabs = Off	Default Tabs	
Answerback	F11	Answerback Mode = Off	Answerback Conceal	
Program	F12	Key = F1	Program = F/Key	Key Dir = Comm Dependent
Execute	Prt Sc	Save Terminal Save Session Reset Terminal Clear Screen Terminal Version	Recall Terminal Recall Session Reset Session Default Session UDKS	Default Terminal Default Session Reset Ports Update Terminal
Exit Setup	Pause	Save all? (Y/N)		

SER1 = SERIAL PORT 1 SER2 = SERIAL PORT 2

TT-DCAP Quick Guide

NOTES & TIPS

DMS CURRENT LOOP INSTALLATION NOTES Pgs. 11-15

UPGRADED IOM INSTALLATION NOTES Pgs. 16-17

NOTES & TIPS

DMS CURRENT LOOP INSTALLATION NOTES

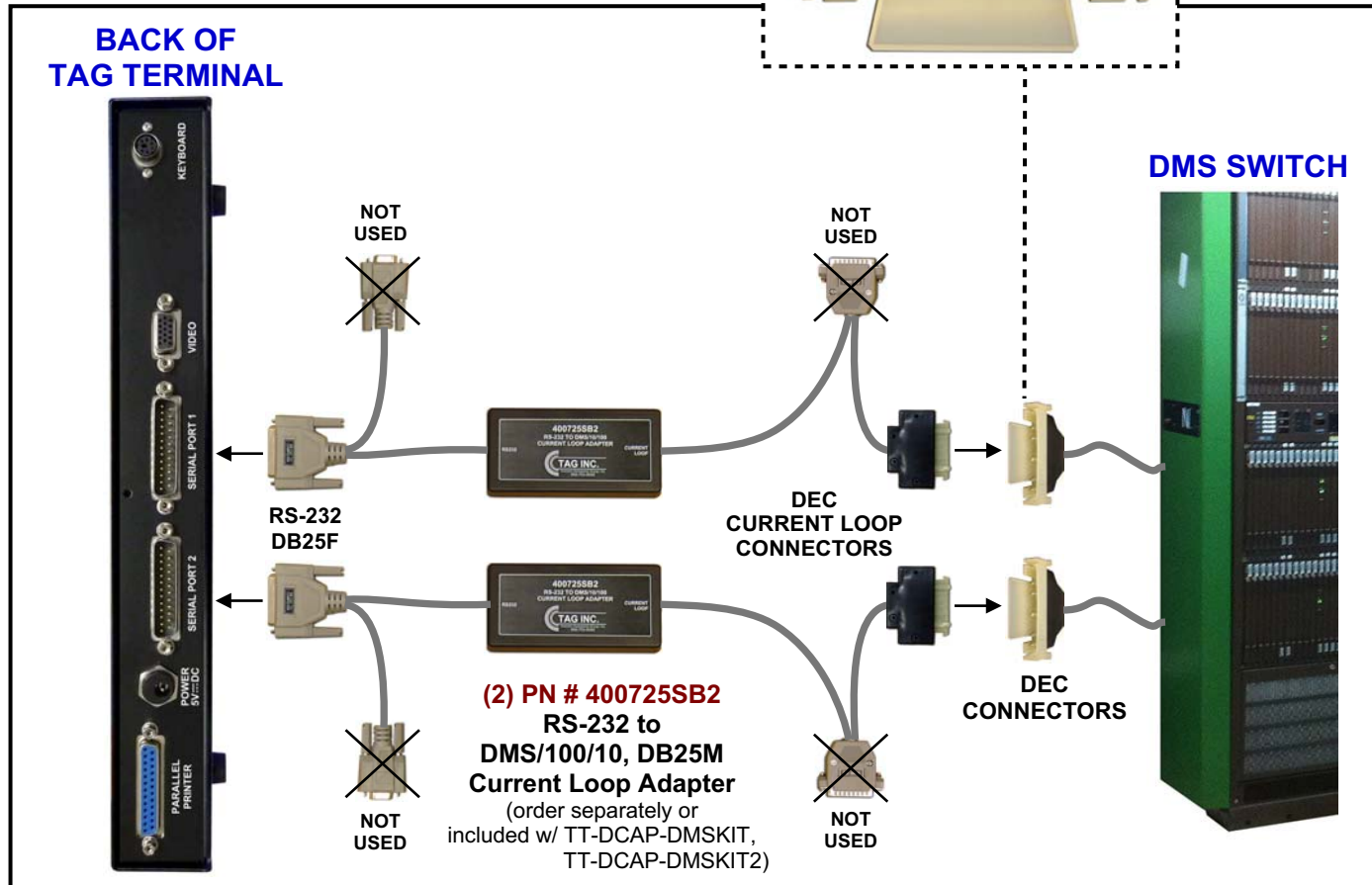
IF YOU HAVE:

FLAT DEC CONNECTOR FROM THE SWITCH

- USE 400725SB2 CURRENT LOOP ADAPTERS



FIGURE 11



150 Cooper Rd. (F-15)
W. Berlin, NJ 08091

www.tagcords.com
Telecom Assistance Group

Telephone: (856) 753-8585
Fax : (856) 768-7645

NOTES & TIPS

DMS CURRENT LOOP INSTALLATION NOTES

IF YOU HAVE:

A CURRENT LOOP TO MMJ ADAPTER FROM THE SWITCH

- USE THE 400725SB2 CURRENT LOOP ADAPTERS

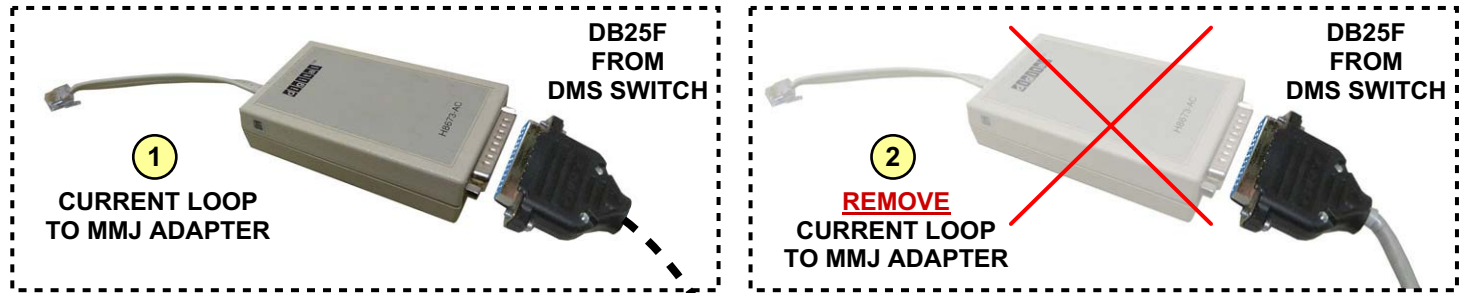
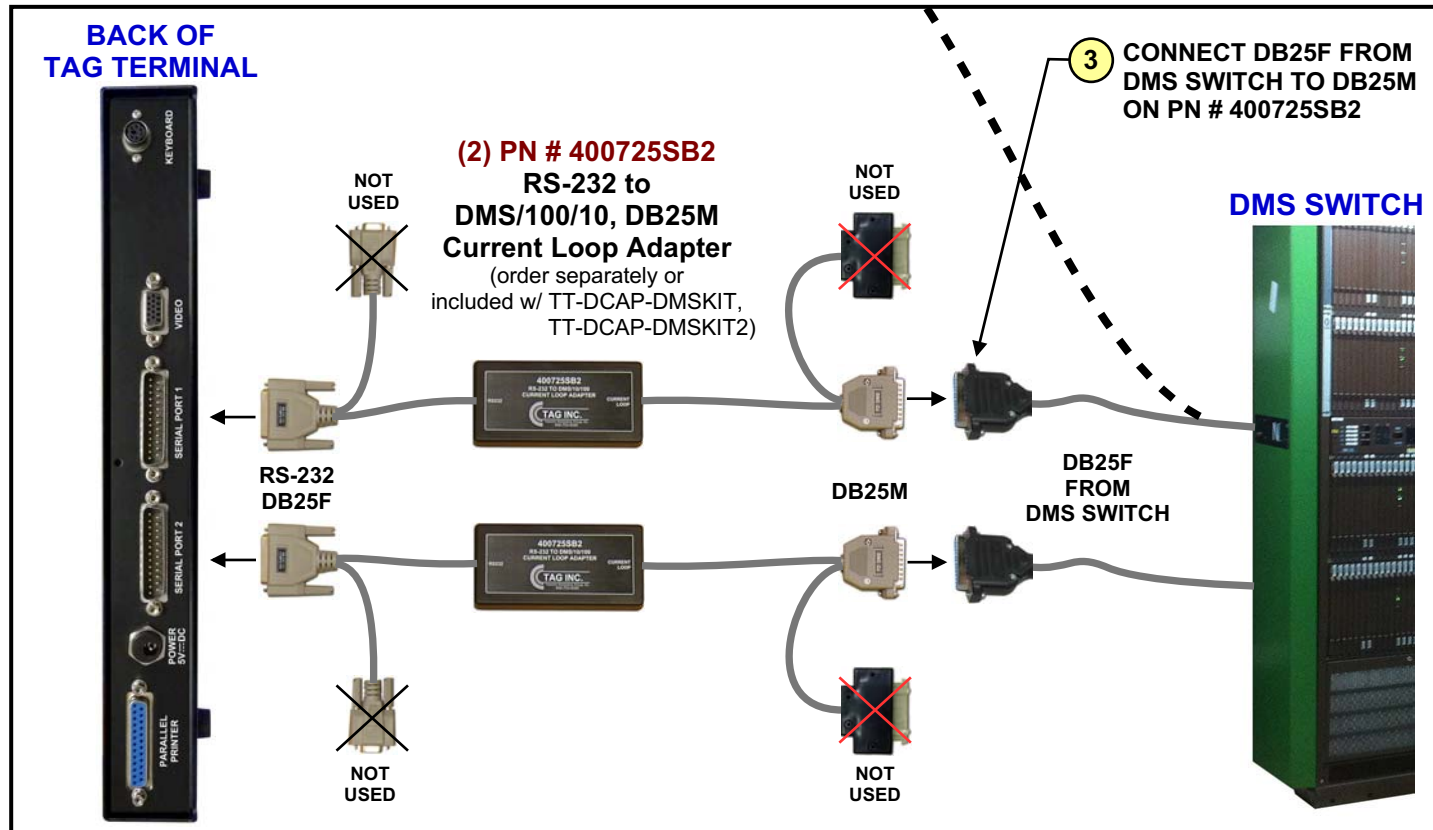


FIGURE 12



150 Cooper Rd. (F-15)
W. Berlin, NJ 08091

www.tagcords.com
Telecom Assistance Group

Telephone: (856) 753-8585
Fax : (856) 768-7645

NOTES & TIPS

DMS CURRENT LOOP INSTALLATION NOTES

CURRENT LOOP PAIR DETERMINATION:

- 1 SET VOLT-OHM METER TO DCV SETTING
(WITH THE WIRES DISCONNECTED)
- 2 CONNECT THE (+) RED PROBE TO THE ORANGE / WHITE WIRE & THE (-) BLACK PROBE TO THE WHITE / ORANGE WIRE
- 3 COMPARE THE READINGS & POLARITIES (AS SHOWN BELOW)
(VOLTAGES SHOWN ARE APPROXIMATE & ACTUAL VALUES MAY BE DIFFERENT)
- 4 REPEAT STEPS 2 & 3 FOR THE WHITE / BLUE PAIR
- 5 NOTE: RECEIVE PAIR VOLTAGE IS SLIGHTLY LOWER THAN TRANSMIT PAIR VOLTAGE
- 6 ATTACH THE WIRES TO PN # 400725SBW ACCORDING TO THE POLARITY FOUND IN THE WIRING DETAIL

- TRANSMIT (+) TO T+
- TRANSMIT (-) TO T-
- RECEIVE (+) TO R+
- RECEIVE (-) TO R-

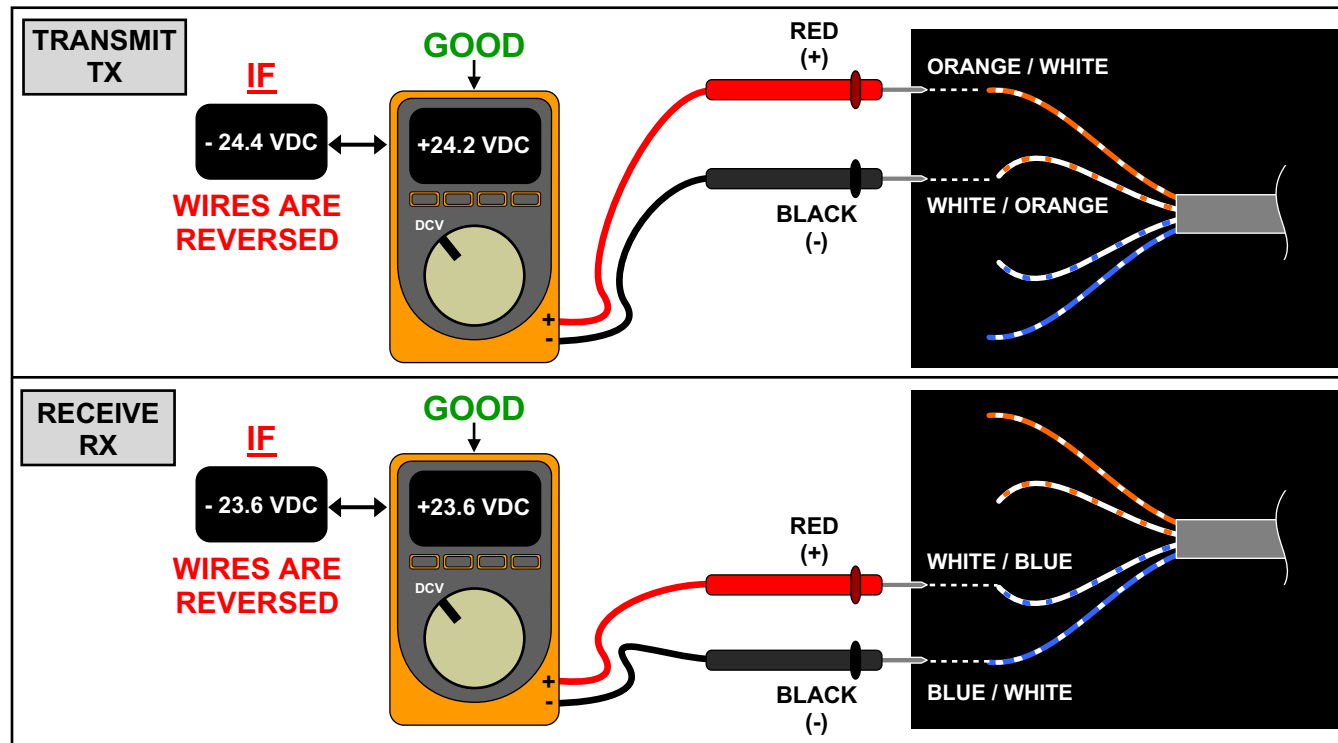
WIRING DETAIL*:



* Most common - Colors may vary

If colors are different, - DO NOT SEPERATE PAIRED WIRES

FIGURE 14



NOTES & TIPS

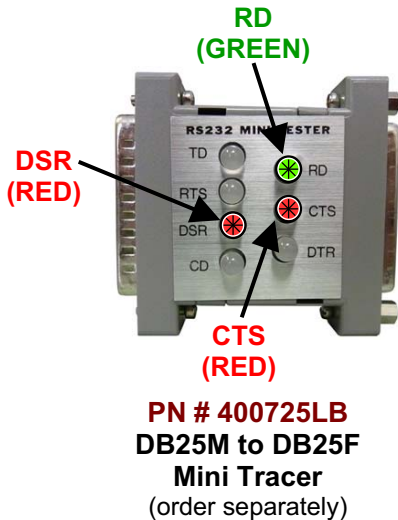
DMS CURRENT LOOP INSTALLATION NOTES

IF YOU HAVE:

AN EXISTING TERMINAL w/ DB25 CONNECTOR

- USE THE 400725LB

BACK OF TAG TERMINAL



1 TO DETERMINE IF THE CABLE FROM THE DMS SWITCH IS RS232, USE PN # 400725LB MINI TRACER



FIGURE 15

2 - IF THE TRACER LIGHTS AS SHOWN, THE CABLE IS RS232. CONTINUE TO INSTALL - SEE STEP 3.
- IF RS232 IS NOT PRESENT, CALL TAG FOR ASSISTANCE @ 856-753-8585

DMS SWITCH



DB25 (RS-232) FROM DMS SWITCH

3 IF RS232 IS PRESENT, CONNECT THE DB25 TO THE BACK OF THE TERMINAL.
IF NECESSARY, USE THE SUPPLIED GENDER CHANGERS (PN # 400700).

(2) PN # 400700 DB25F Gender Changer (INCLUDED - IF NEEDED)

150 Cooper Rd. (F-15)
W. Berlin, NJ 08091

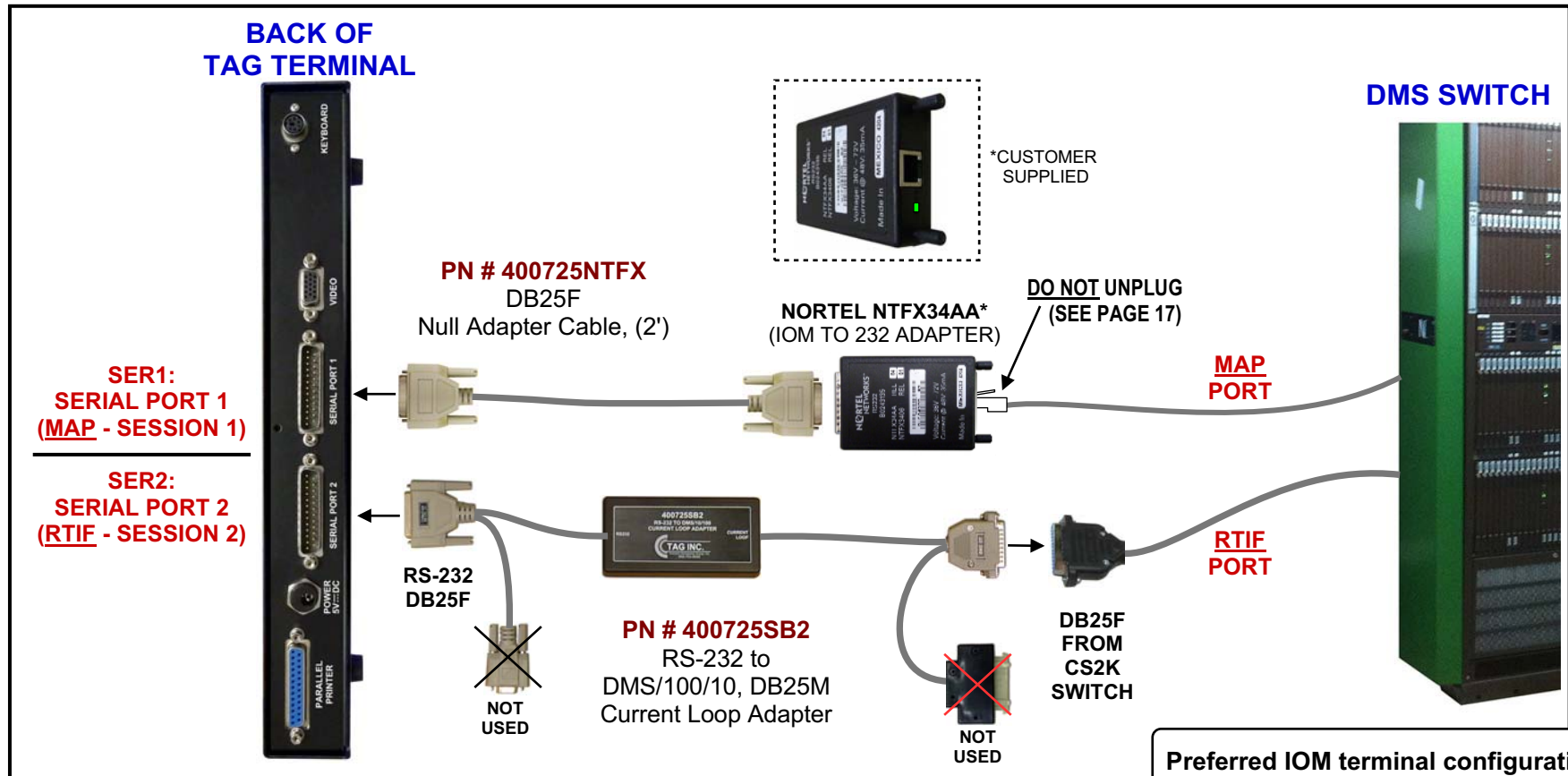
www.tagcords.com
Telecom Assistance Group

Telephone: (856) 753-8585
Fax: (856) 768-7645

NOTES & TIPS

UPGRADED IOM INSTALLATION NOTES

FIGURE 16



Preferred IOM terminal configuration:
SESSION 1 - MAP
SESSION 2 - RTIF

NOTES:

SETUP SAME AS DMS BUT WITH HARDWARE HANDSHAKE

- SOME RTIF APPLICATIONS DO NOT NEED CURRENT LOOP ADAPTER (PN # 400725SB2)
- HANDSHAKE COULD BE NONE
- BAUD 2400 TO 9600
- WHEN ATTACHING THE MAP TERMINAL (NEW OR OLD), THE PORT NEEDS TO BE DEACTIVATED AND REACTIVATED TO START OPERATION. THIS IS DONE FROM THE REMOTE COMMAND (NETWORK ACCESS) TERMINAL

150 Cooper Rd. (F-15)
 W. Berlin, NJ 08091

www.tagcords.com
Telecom Assistance Group

Telephone: (856) 753-8585
 Fax : (856) 768-7645

NOTES & TIPS**UPGRADED IOM INSTALLATION NOTES***** WARNING ***

DO NOT UNPLUG THE RJ48 CABLE FROM THE NORTEL ADAPTER.

- IF IT IS NECESSARY TO DISCONNECT THIS CABLE, THE ADAPTER WILL LOSE ITS SET UP INFORMATION. FOLLOW THE STEPS BELOW TO RESTART THE ADAPTER (PORT).

TO RE-SYNC THE NORTEL NTFX34AA* ADAPTER - THE FOLLOWING SWITCH SETUP STEPS MAY BE HELPFUL:

1. BUSY PORT
2. TAKE OFFLINE
3. BUSY PORT AGAIN
4. THEN "RTS" THE PORT

THIS SHOULD RE-ACTIVATE THE MAP TERMINAL.

NOTE: THE GREEN LIGHT ON THE NORTEL NTFX34AA ADAPTER SHOULD BE ON.

**NTFX34AA ADAPTER IS CUSTOMER SUPPLIED*

FIGURE 17