

# TT-DCAS Quick Guide

## QUICK GUIDE FOR DMS (DUAL SESSION) SWITCH ACCESS TERMINALS PN # TT-DCAS-DMSKIT & TT-DCAS-DMSKIT2

### CONTENTS:

TERMINAL KIT CONFIGURATION FOR DMS SWITCH ACCESS .....	Page	1
TERMINAL COMMAND KEYS .....	Page	2
GENERAL SETTINGS NOTE .....	Page	3
TERMINAL SETUP .....	Page	4
CHANGING THE SERIAL PORT SETTINGS .....	Page	5
CHANGING THE SCREEN DISPLAY TO FULL OR SPLIT SCREEN .....	Page	6
PROGRAMMING FUNCTION KEYS .....	Page	7
CHANGING THE SCREEN TITLE .....	Page	8
DMS DEFAULT SETUP .....	Page	9
NOTES & TIPS .....	Pgs.	10-15
DMS CURRENT LOOP INSTALLATION NOTES.....	Pgs.	11-15

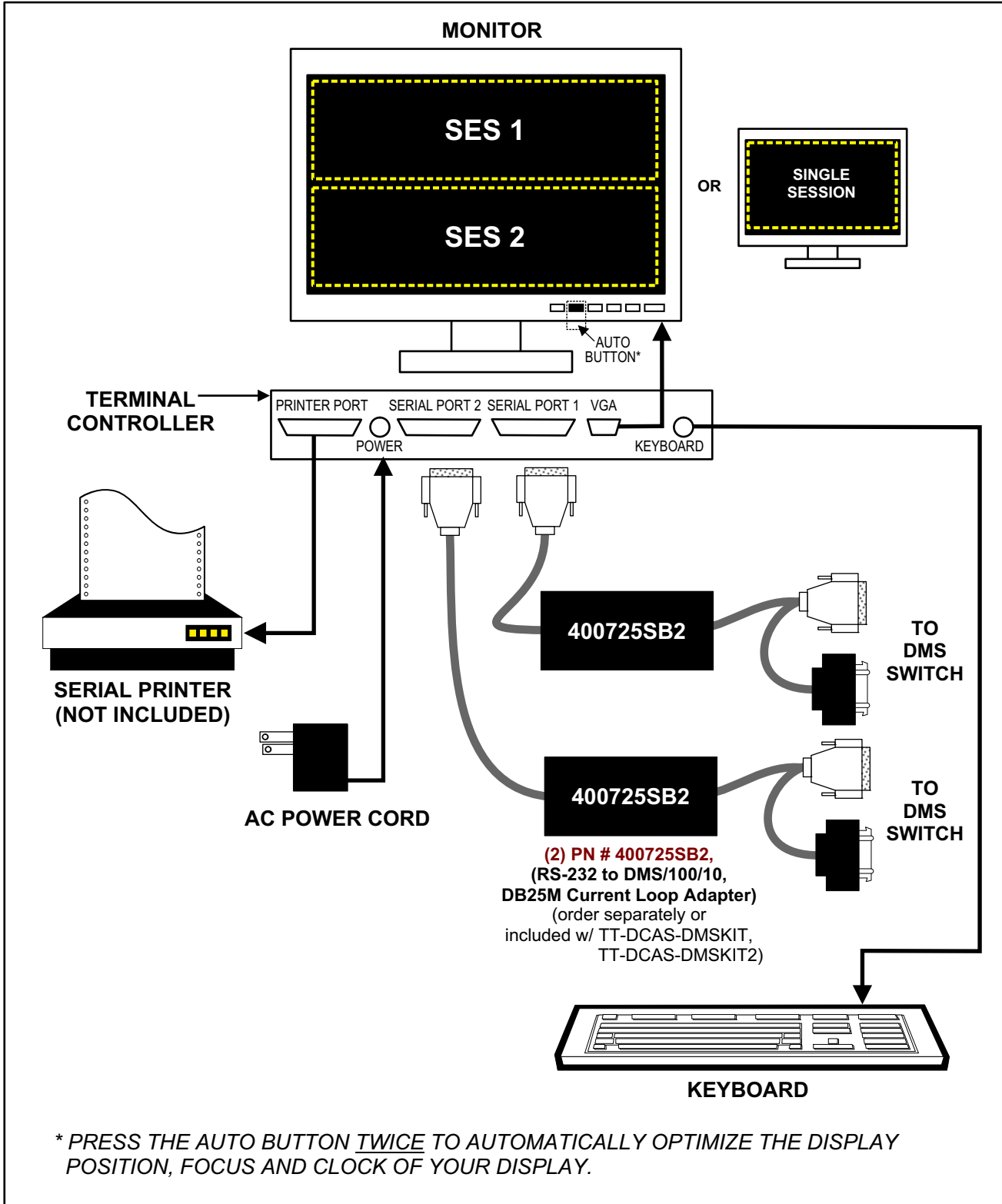


# TT-DCAS Quick Guide

## TERMINAL KIT CONFIGURATION FOR DMS SWITCH ACCESS

PN # TT-DCAS-DMSKIT & TT-DCAS-DMSKIT2

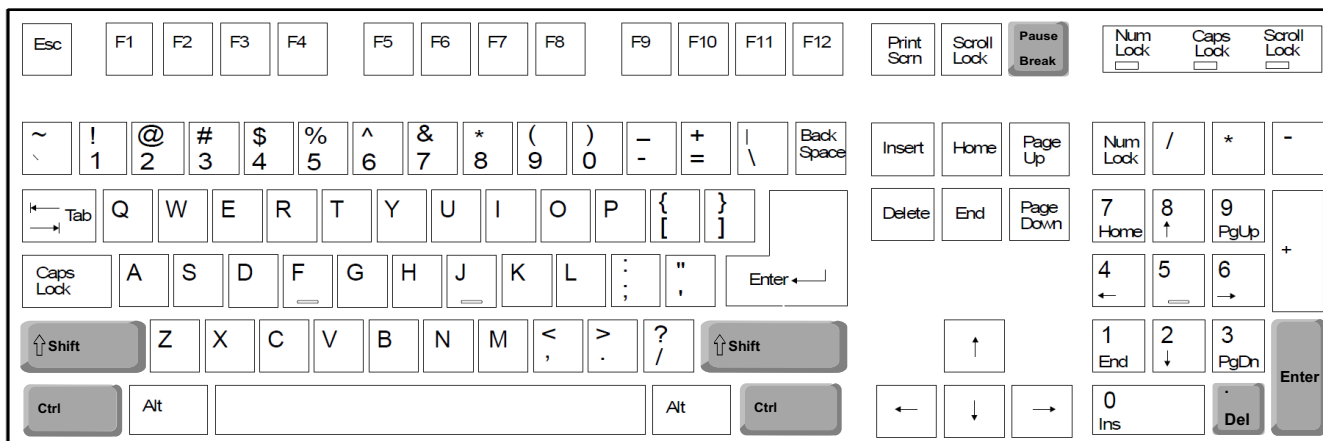
FIGURE 1



# TT-DCAS Quick Guide

## TERMINAL COMMAND KEYS

**FIGURE 2**



<p><b>SWITCH SESSIONS</b> (for dual sessions only)</p>	<p>Press <b>Ctrl + Enter</b> (Enter on the Number Pad)</p> <div style="text-align: center; margin-top: 20px;"> </div>
<p><b>PRINT</b></p>	<p>Press <b>Ctrl + Shift + .</b> (Decimal on the Number Pad)</p> <div style="text-align: center; margin-top: 20px;"> </div>
<p><b>SEND BREAK</b></p>	<p>Press <b>Ctrl + Pause/Break Key</b></p> <div style="text-align: center; margin-top: 20px;"> </div>

## TT-DCAS Quick Guide

### GENERAL SETTINGS NOTE

Terminals are supplied pre-configured for your DMS switch. Some local settings may need to be adjusted. Example: Baud Rate, Function Keys etc.

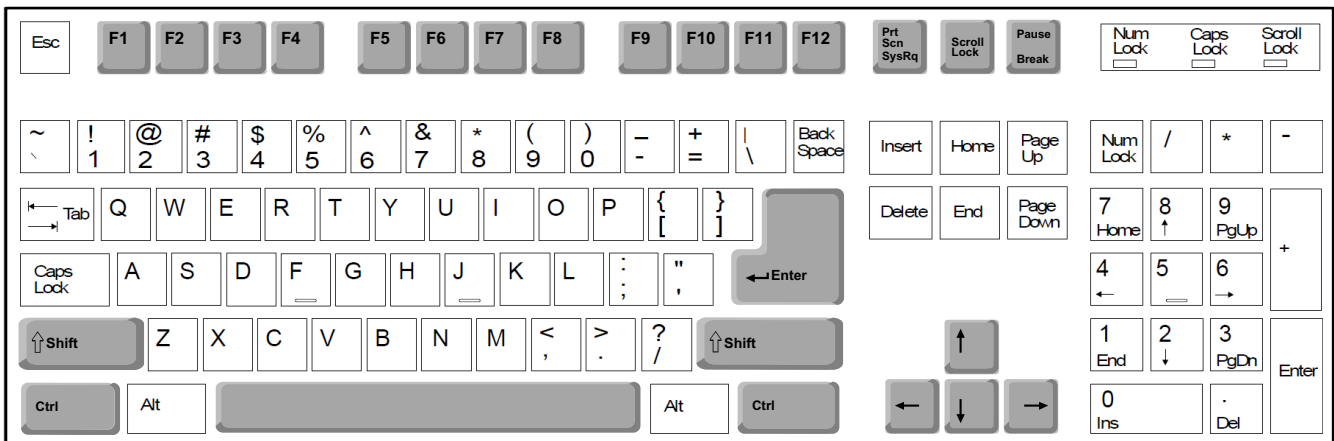
*The following pages show how to make adjustments to the terminal when required.*

# TT-DCAS Quick Guide

## TERMINAL SETUP

**FIGURE 3**

**FIGURE 4**



<b>ENTER SETUP SCREEN</b>	Press <b>Ctrl + Scroll Lock</b> +
<b>SELECT MENU</b>	Press <b>F1 - Prt Scn</b> <small>(see pg.9 for DMS Default Setup)</small> 
<b>NAVIGATE PARAMETERS</b>	Press the <b>Arrow Keys</b>  
<b>NAVIGATE CHOICES</b>	Press <b>Enter</b> or <b>Spacebar</b> (moves forward) or
	Press <b>Shift + Enter</b> (moves backward) +
<b>EXIT SETUP SCREEN</b>	Press the <b>Pause/Break Key</b> <small>(when prompted to "Save all", press Y key to <b>Save</b> or N key to <b>discard</b>)</small> 

# TT-DCAS Quick Guide

## CHANGING THE SERIAL PORT SETTINGS

FIGURE 5A

F1	F2	F3	F4	F5	F6	F7	F8	F9	F10	F11	F12	PrtSc								
Quick	Genrl	Displ	Kybd	Keys	Ports	Host	Print	Emul	Tabs	AnsBk	Prog	Exec								
Parameters																				
Emulation=VT-100				SER1 Baud Rate = 9600				SER1 Data Format=8/1/N												
Comm Mode=Full Duplex				SER2 Baud Rate=9600				SER2 Data Format=8/1/N												
Enhanced=On				Language=U.S.				Sessions=Two												
Host/Printer=SER1/Para																				
Choices																				
300			600			1200			2400			4800			9600			19200		
Select																				
↑→↓← : Parameter				Enter/S-Enter : Next/Prev Choice				Exit : Pause Key												
Session 1						Press <Control> <EnterKpd> to Toggle Session														

1. Press the **F1** button

### FOR SESSION 1

2. Use the **Arrow Keys** to move to **SER1 Baud Rate (SER1 = Serial Port 1)**
3. Press **Enter** or **Spacebar** until the correct **Choice** is highlighted (9600 for DMS)
4. Use the **Arrow Keys** to move over to **SER1 Data Format**
5. Press **Enter** or **Spacebar** until the correct **Choice** is highlighted (8/1/N for DMS)
6. Press **<Control> <EnterKpd>** to Toggle to Session 2 (see page 2 - "Switching Sessions")

FIGURE 5B

F1	F2	F3	F4	F5	F6	F7	F8	F9	F10	F11	F12	PrtSc								
Quick	Genrl	Displ	Kybd	Keys	Ports	Host	Print	Emul	Tabs	AnsBk	Prog	Exec								
Parameters											Save all? (Y/N)									
Emulation=VT-100				SER1 Baud Rate = 9600				SER1 Data Format=8/1/N												
Comm Mode=Full Duplex				SER2 Baud Rate=9600				SER2 Data Format=8/1/N												
Enhanced=On				Language=U.S.				Sessions=Two												
Host/Printer=SER2/Para																				
Choices																				
300			600			1200			2400			4800			9600			19200		
Select																				
↑→↓← : Parameter				Enter/S-Enter : Next/Prev Choice				Exit : Pause Key												
Session 2						Press <Control> <EnterKpd> to Toggle Session														

### FOR SESSION 2

7. Use the **Arrow Keys** to move to **SER2 Baud Rate (SER2 = Serial Port 2)**
8. Press **Enter** or **Spacebar** until the correct **Choice** is highlighted (9600 for DMS)
9. When finished, press the **Pause Key** at the top right of the keyboard
10. When prompted with "Save all?", click **Y** to save the new **Parameters**

## TT-DCAS Quick Guide

### CHANGING THE SCREEN DISPLAY TO FULL OR SPLIT SCREEN\*

*\*Note: Applies to dual sessions only.*

**FIGURE 6**

F1 Quick	F2 Genrl	F3 Displ	F4 Kybd	F5 Keys	F6 Ports	F7 Host	F8 Print	F9 Emul	F10 Tabs	F11 AnsBk	F12 Prog	PrtSc Exec
Parameters												
Emulation=VT-100 Screen Saver=5-min Warning Bell=On Host/Printer=SER1/Para				Enhanced=On Auto Page=Off Bell Length=350 ms Sessions=Two				Auto Wrap=Off Auto Scroll=On Bell Volume=5 <b>Session Display=Split</b>				
Choices												
Full				<b>Split</b>								
Select												
↑→↓← : Parameter				Enter/S-Enter : Next/Prev Choice				Exit : Pause Key				
Session 1 Press <Control> <EnterKpd> to Toggle Session												

1. Press the **F2** button
2. Use the **Arrow Keys** to move over to **Session Display**
3. Press **Enter** or **Spacebar** until the correct **Choice** is highlighted (Full / Split)

**FIGURE 7**

F1 Quick	F2 Genrl	F3 Displ	F4 Kybd	F5 Keys	F6 Ports	F7 Host	F8 Print	F9 Emul	F10 Tabs	F11 AnsBk	F12 Prog	PrtSc Exec
Parameters												
Page Length=24 Display Cursor=On Columns=80				<b>Screen Length=49 Lines</b>				Screen Video=Normal Auto Adjust Cursor=On Scroll Speed=Full				
Choices												
26 Lines				<b>49 Lines</b>								
Select												
↑→↓← : Parameter				Enter/S-Enter : Next/Prev Choice				Exit : Pause Key				
Session 1 Press <Control> <EnterKpd> to Toggle Session												

4. Press the **F3** button
5. Use the **Arrow Keys** to move over to **Screen Length**
6. Press **Enter** or **Spacebar** until the correct **Choice** is highlighted (49 Lines for Split Screen) (26 Lines for Full Screen)
7. When finished, press the **Pause Key** at the top right of the keyboard
8. When prompted with "**Save all?**", click **Y** to save the new **Parameter**

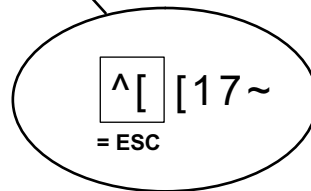
# TT-DCAS Quick Guide

## PROGRAMMING FUNCTION KEYS\*

\*Each function key has (4) programmable registers per session such as **F/key**, **sh-F/key**, **ctrl-F/key** & **ctrl-sh-F/key**  
 (These can be selected from the "Choices" located in the **"Program"** Parameter)

**FIGURE 8**

DO NOT LEAVE  
A SPACE HERE



Note:  
For ^ press Shift+6

1. Press the **F12** button
2. The cursor will appear in the "Key" Field with F1 as the default (**DO NOT** change F1-F4)
3. Select a new function key to program by pressing **Enter** or **Spacebar** until the correct **Choice** is highlighted (for example choose F6)
4. Arrow down to move to the "Text" Field
5. Type in the "Function" for the key. CAUTION: The first character in the Text Field cannot be left blank  
**Example:** To program **ESC**[17~ Type: Shift+6 [[17 Shift+` = (^[[17~)
6. To program another function, arrow back up to the "Key" Field & repeat steps 3-5
7. When finished, press the **Pause Key** at the top right of the keyboard
8. When prompted with "**Save all?**", click **Y** to save the new **Parameter**

**DO NOT CHANGE THE FUNCTIONS OF F1, F2, F3 & F4**



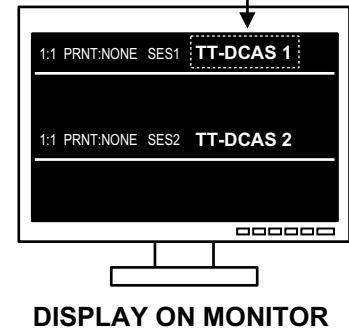
# TT-DCAS Quick Guide

## CHANGING THE SCREEN TITLE

**Note:** This will change the title at the top of each Session.

**FIGURE 9A**

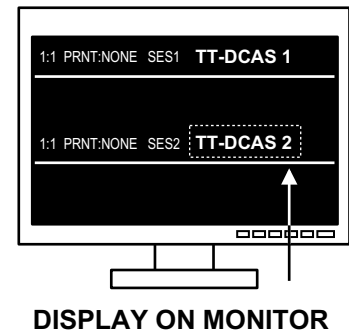
F1 Quick	F2 Genrl	F3 Displ	F4 Kybd	F5 Keys	F6 Ports	F7 Host	F8 Print	F9 Emul	F10 Tabs	<b>F11</b> AnsBk	F12 Prog	PrtSc Exec
<b>Parameters</b>												
Answerback Mode=Off				Answerback Conceal								
Answerback Message: <input style="width: 90%;" type="text"/>												
Screen Title: <input style="width: 90%;" type="text" value="TT-DCAS 1_"/>												
<b>Choices</b>												
<Backspace> : Delete Character    <Shift><Backspace> : Default Field												
<b>Select</b>												
↑→↓← : Parameter				Enter/S-Enter : Next/Prev Choice				Exit : Pause Key				
<b>4</b> Session 1    Press <Control> <EnterKpd> to Toggle Session												



1. Press the **F11** button
- FOR SESSION 1**
2. Use the **Arrow Keys** to move the cursor down to **Screen Title**
3. Type in a Title for Session 1 (Example: TT-DCAS 1)
4. Press **<Control> <EnterKpd>** to **Toggle to Session 2** (see page 2 - "Switching Sessions")

**FIGURE 9B**

F1 Quick	F2 Genrl	F3 Displ	F4 Kybd	F5 Keys	F6 Ports	F7 Host	F8 Print	F9 Emul	F10 Tabs	<b>F11</b> AnsBk	F12 Prog	PrtSc Exec
<b>Parameters</b>											<b>8</b> Save all? (Y/N)	
Answerback Mode=Off				Answerback Conceal								
Answerback Message: <input style="width: 90%;" type="text"/>												
Screen Title: <input style="width: 90%;" type="text" value="TT-DCAS 2_"/>												
<b>Choices</b>												
<Backspace> : Delete Character    <Shift><Backspace> : Default Field												
<b>Select</b>												
↑→↓← : Parameter				Enter/S-Enter : Next/Prev Choice				<b>7</b> Exit : Pause Key				
<b>Session 2</b> Press <Control> <EnterKpd> to Toggle Session												



- FOR SESSION 2**
5. Use the **Arrow Keys** to move the cursor down to **Screen Title**
6. Type in a Title for Session 2 (Example: TT-DCAS 2)
7. When finished, press the **Pause Key** at the top right of the keyboard
8. When prompted with "Save all?", click **Y** to save the new **Parameters**

## TT-DCAS Quick Guide

### DMS DEFAULT SETUP\*

**\*Note:** When using Dual Sessions, parameters must be set for both sessions.

**Note:** Items in **Bold** may require Local Settings.

**FIGURE 10**

Menu	Key	Parameters Available (Not all will display for a given emulation, keyboard, or video mode)		
Quick	<b>F1</b>	Emulation = VT-100 Comm Mode = Full Duplex Enhanced = On Host/Printer = SER1/Para SER2/Para	<b>SER1 Baud Rate = 9600</b> <b>SER2 Baud Rate = 9600</b> Language = U.S.	<b>SER1 Data Format = 8/1/N</b> <b>SER2 Data Format = 8/1/N</b> Sessions = Two
General	<b>F2</b>	Emulation = VT-100 Screen Saver = 5-min Warning Bell = On Host/Printer = SER1/Para SER2/Para	Enhanced = On Auto Page = Off Bell Length = 350 ms Sessions = Two	Auto Wrap = Off Auto Scroll = On Bell Volume = 5 Session Display=Split
Display	<b>F3</b>	Page Length = 24 Display Cursor = On Columns = 80	Screen Length = 49 Lines Cursor = Blink Block Erase Color = Black	Screen Video = Normal Auto Adjust Cursor = On Scroll Speed = Full
Keyboard	<b>F4</b>	Language = U.S. Key Click = On Num Lock = Toggle	Char Set Mode = ANSI Key Repeat = On Key Lock = Reverse	Margin Bell = Off Key Rate = 20 cps Caps Lock = Toggle
Keys	<b>F5</b>	Enter Key = <CR> Alt Key = Compose UDKS = Emul Dependent	Return Key = <CR> Disconnect = Pause	Backspace = <BS>/<DEL> Return Key Repeat = Off
Ports	<b>F6</b>	SER1 Baud Rate = 9600 SER2 Baud Rate = 9600 SER1 Xmt = Xon-Xoff SER2 Xmt = Xon-Xoff SER1 Break = 250 ms SER2 Break = 250 ms	SER1 Data Format = 8/1/N SER2 Data Format = 8/1/N SER1 Recv = Xon-Xoff(XPC) SER2 Recv = Xon-Xoff(XPC) SER1 Modem Control = Off SER2 Modem Control = Off	SER1 Parity Check = Off SER2 Parity Check = Off SER1 Xmt Pace = Baud SER2 Xmt Pace = Baud SER1 Disconnect = 2 sec SER2 Disconnect = 2 sec
Host	<b>F7</b>	Comm Mode = Full Duplex Recv <DEL> = Ignore Send Region = Screen	Local = Off Null Suppress = On Send End = Region	Recv <CR> = <CR> Send Block Term = None
Print	<b>F8</b>	Prnt Mode = Normal Prn Baud Rate = 9600 PRN Xmt = No Protocol	Prnt Region = Screen PRN Data Format = 8/1/N PRN Recv = No Protocol	Prnt Block = None PRN Parity Check = Off
Emulation	<b>F9</b>	Numeric Kpd = Numeric ANSI-ID = VT320 Status Line = Indicator	Cursor Kpd = Cursor Feature Lock = Off	Send Data = All Function Key Lock = Off
Tabs	<b>F10</b>	Auto Init Tabs = Off	Default Tabs	
Answerback	<b>F11</b>	Answerback Mode = Off	Answerback Conceal	
Program	<b>F12</b>	Key = F1	Program = F/Key	Key Dir = Comm Dependent
Execute	<b>Prt Sc</b>	Save Terminal Save Session Reset Terminal Clear Screen Terminal Version	Recall Terminal Recall Session Reset Session Default Session UDKS	Default Terminal Default Session Reset Ports Update Terminal
Exit Setup	<b>Pause</b>	Save all? (Y/N)		

**SER1 = SERIAL PORT 1      SER2 = SERIAL PORT 2**

# TT-DCAS Quick Guide

## NOTES & TIPS

**DMS CURRENT LOOP INSTALLATION NOTES ..... Pgs. 11-15**

**NOTES & TIPS**

**DMS CURRENT LOOP INSTALLATION NOTES**

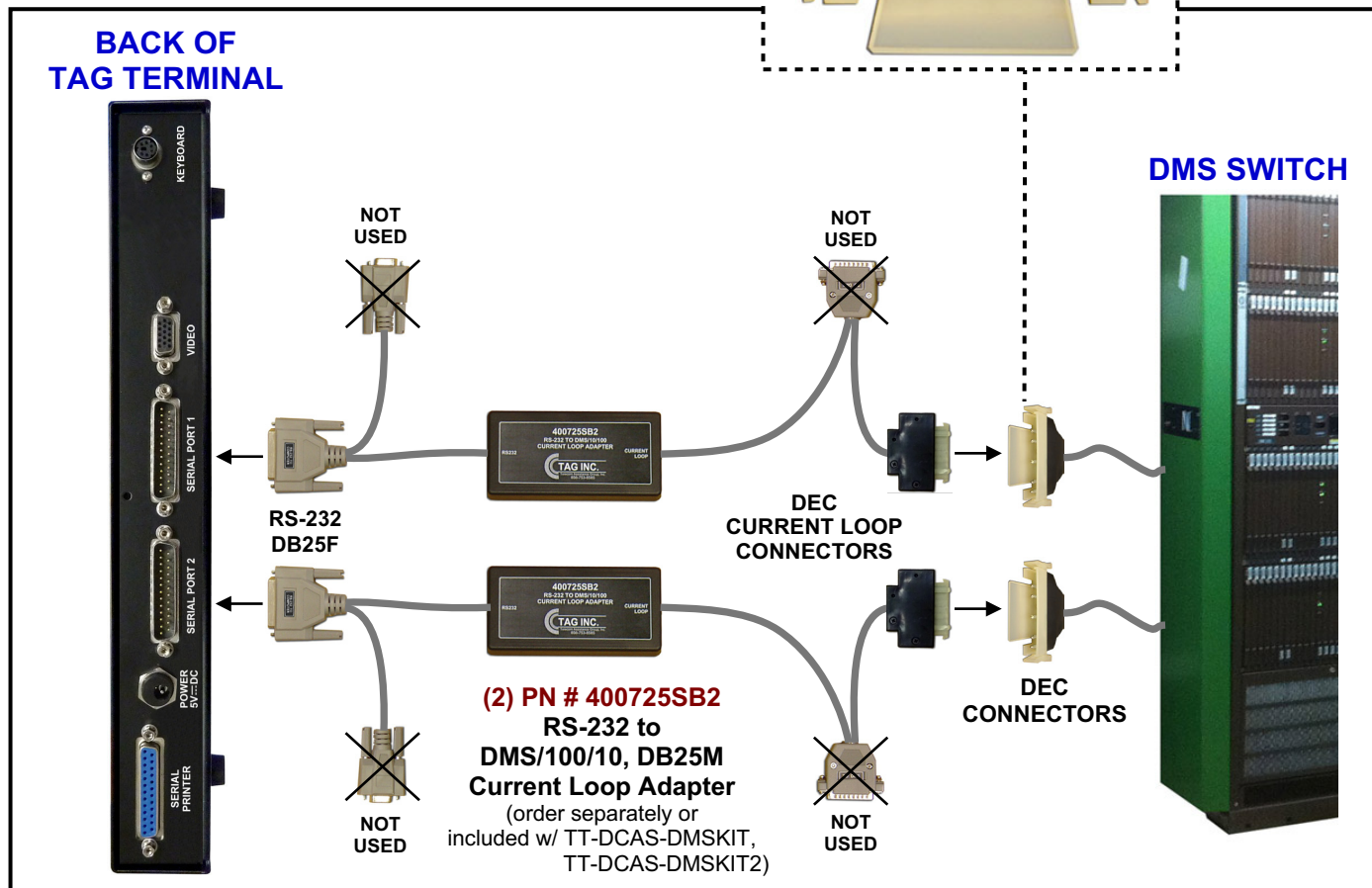
**IF YOU HAVE:**

**FLAT DEC CONNECTOR FROM THE SWITCH**

- USE 400725SB2 CURRENT LOOP ADAPTERS



**FIGURE 11**



150 Cooper Rd. (F-15)  
W. Berlin, NJ 08091

[www.tagcords.com](http://www.tagcords.com)  
**Telecom Assistance Group**

Telephone: (856) 753-8585  
Fax : (856) 768-7645

# NOTES & TIPS

# DMS CURRENT LOOP INSTALLATION NOTES

### IF YOU HAVE:

**A CURRENT LOOP TO MMJ ADAPTER FROM THE SWITCH**

- USE THE 400725SB2 CURRENT LOOP ADAPTERS

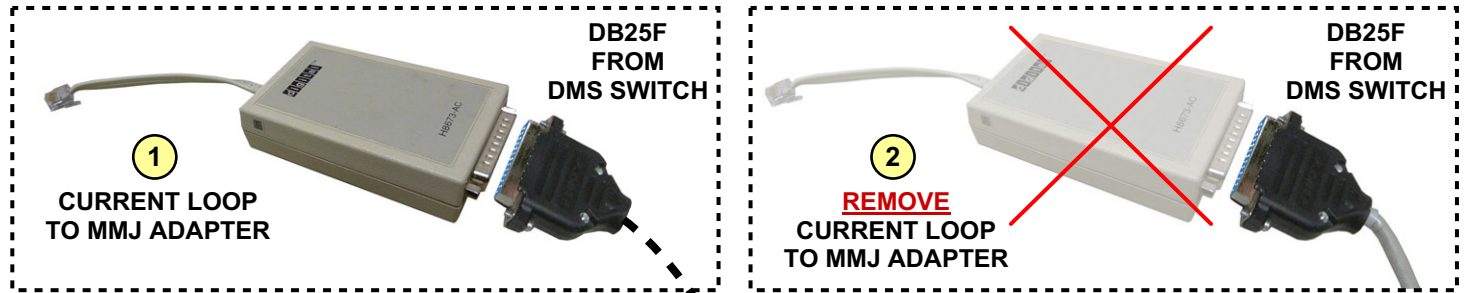
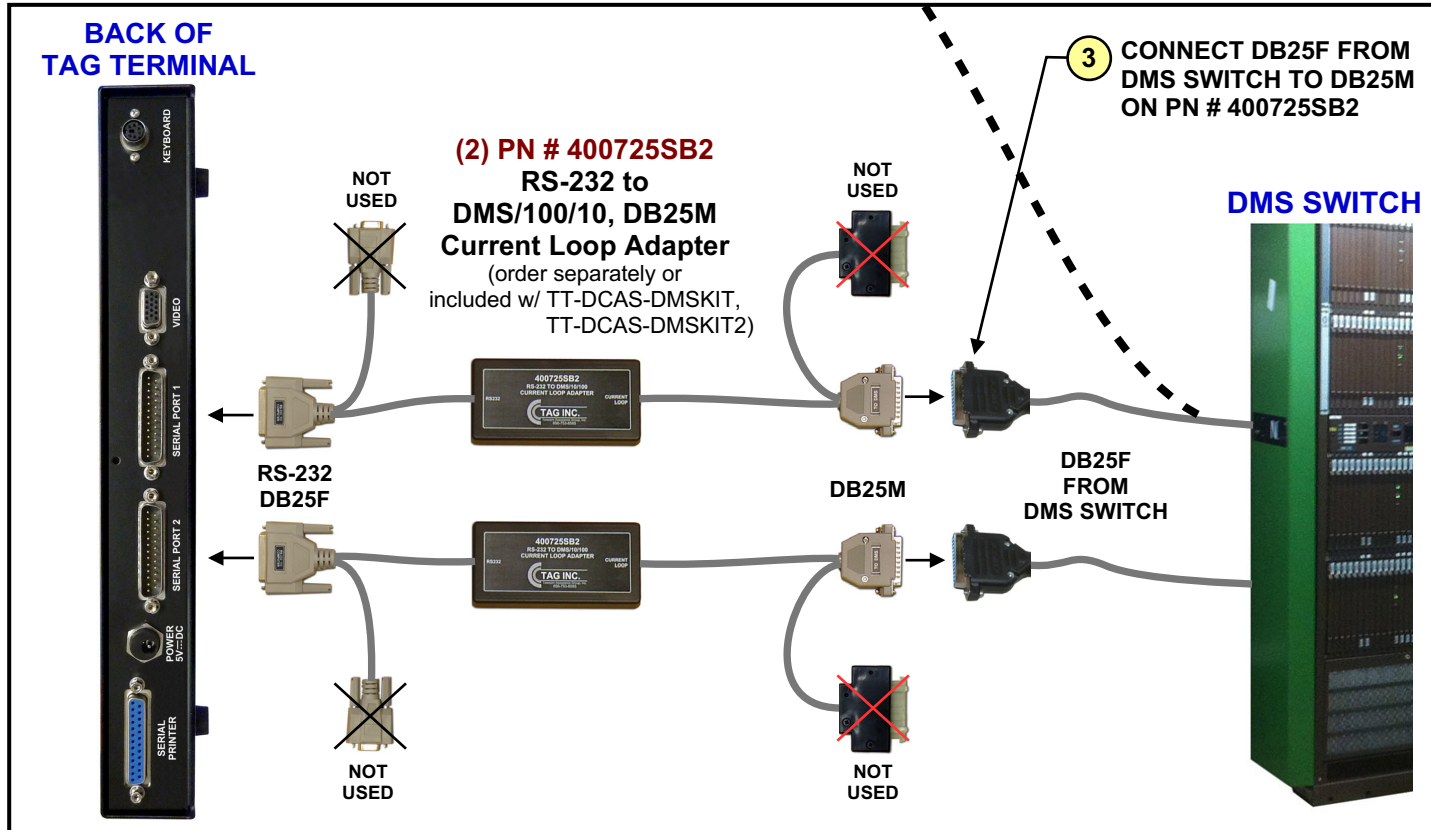


FIGURE 12



150 Cooper Rd. (F-15)  
W. Berlin, NJ 08091

www.tagcords.com  
**Telecom Assistance Group**

Telephone: (856) 753-8585  
Fax : (856) 768-7645

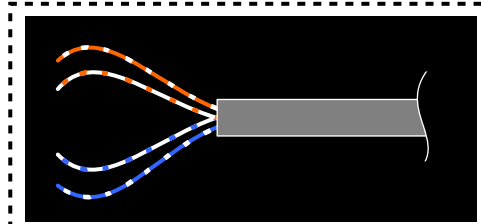
# NOTES & TIPS

# DMS CURRENT LOOP INSTALLATION NOTES

### IF YOU HAVE:

**BARE WIRE FROM THE SWITCH  
OR A BROKEN CONNECTOR**

- USE THE 400725SB2 CURRENT LOOP ADAPTERS
- w/ THE 400725SBW HARDWARE ADAPTERS

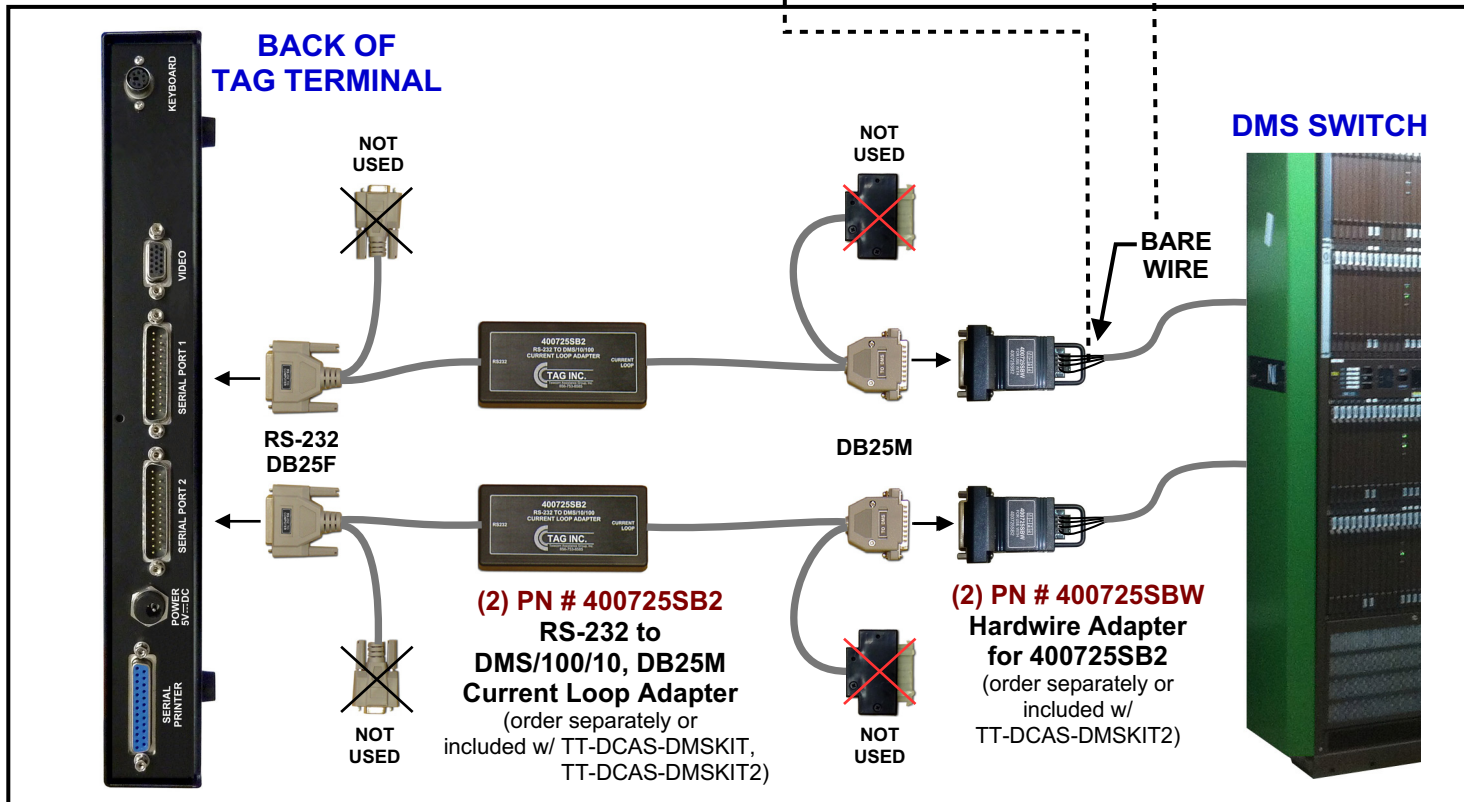


### WIRING DETAIL\*:



\* Most common - Colors may vary  
 If colors are different, - DO NOT SEPERATE PAIRED WIRES

FIGURE 13



150 Cooper Rd. (F-15)  
 W. Berlin, NJ 08091

www.tagcords.com  
**Telecom Assistance Group**

Telephone: (856) 753-8585  
 Fax : (856) 768-7645

# NOTES & TIPS

# DMS CURRENT LOOP INSTALLATION NOTES

## CURRENT LOOP PAIR DETERMINATION:

- 1 SET VOLT-OHM METER TO DCV SETTING  
(WITH THE WIRES DISCONNECTED)
- 2 CONNECT THE (+) RED PROBE TO THE ORANGE / WHITE WIRE & THE (-) BLACK PROBE TO THE WHITE / ORANGE WIRE
- 3 COMPARE THE READINGS & POLARITIES (AS SHOWN BELOW)  
(VOLTAGES SHOWN ARE APPROXIMATE & ACTUAL VALUES MAY BE DIFFERENT)
- 4 REPEAT STEPS 2 & 3 FOR THE WHITE / BLUE PAIR
- 5 NOTE: RECEIVE PAIR VOLTAGE IS SLIGHTLY LOWER THAN TRANSMIT PAIR VOLTAGE
- 6 ATTACH THE WIRES TO PN # 400725SBW ACCORDING TO THE POLARITY FOUND IN THE WIRING DETAIL

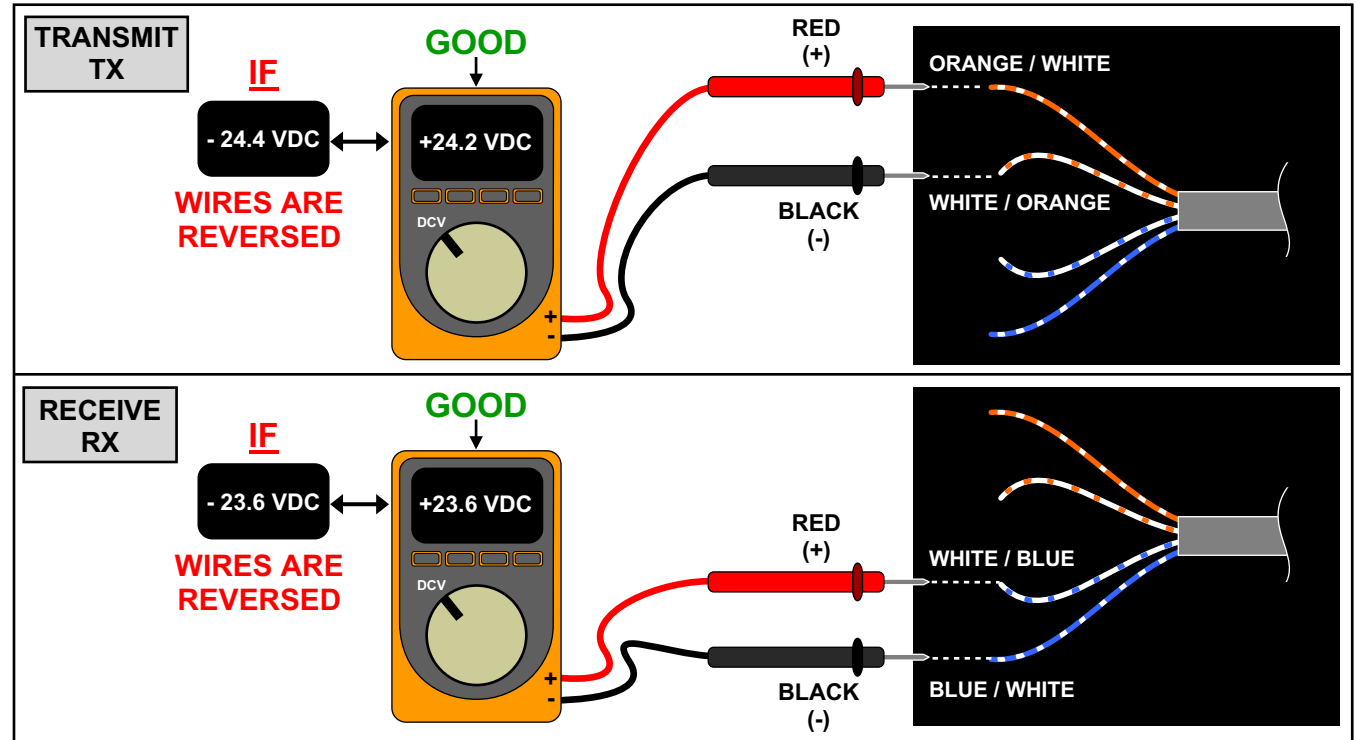
- TRANSMIT (+) TO T+
- TRANSMIT (-) TO T-
- RECEIVE (+) TO R+
- RECEIVE (-) TO R-

### WIRING DETAIL\*:



\* Most common - Colors may vary  
If colors are different, - DO NOT SEPERATE PAIRED WIRES

FIGURE 14



# NOTES & TIPS

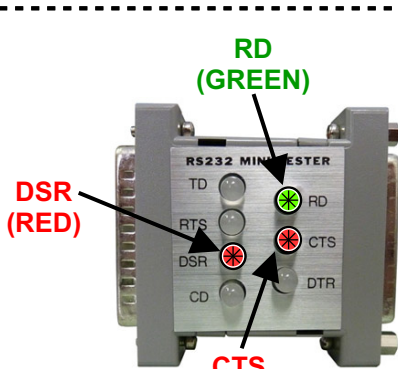
# DMS CURRENT LOOP INSTALLATION NOTES

### IF YOU HAVE:

**AN EXISTING TERMINAL w/ DB25 CONNECTOR**

- USE THE 400725LB

**BACK OF TAG TERMINAL**



DSR (RED)

RD (GREEN)

CTS (RED)

PN # 400725LB  
DB25M to DB25F  
Mini Tracer  
(order separately)

1

TO DETERMINE IF THE CABLE FROM THE DMS SWITCH IS RS232, USE PN # 400725LB MINI TRACER



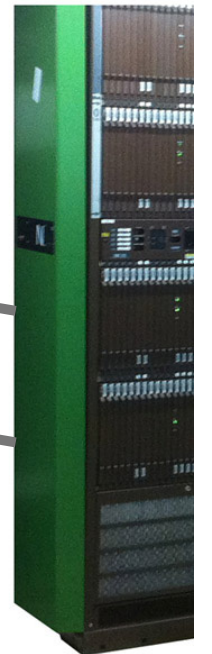
DB25

2

- IF THE TRACER LIGHTS AS SHOWN, THE CABLE IS RS232. CONTINUE TO INSTALL - SEE STEP 3.  
- IF RS232 IS NOT PRESENT, CALL TAG FOR ASSISTANCE @ 856-753-8585

FIGURE 15

**DMS SWITCH**



DB25 (RS-232)  
FROM DMS SWITCH

3

IF RS232 IS PRESENT, CONNECT THE DB25 TO THE BACK OF THE TERMINAL.  
IF NECESSARY, USE THE SUPPLIED GENDER CHANGERS (PN # 400700).

(2) PN # 400700  
DB25F Gender Changer  
(INCLUDED - IF NEEDED)