

TT-VT100S Quick Guide

QUICK GUIDE FOR LOCAL (SINGLE SESSION) ACCESS TERMINALS

CONTENTS:

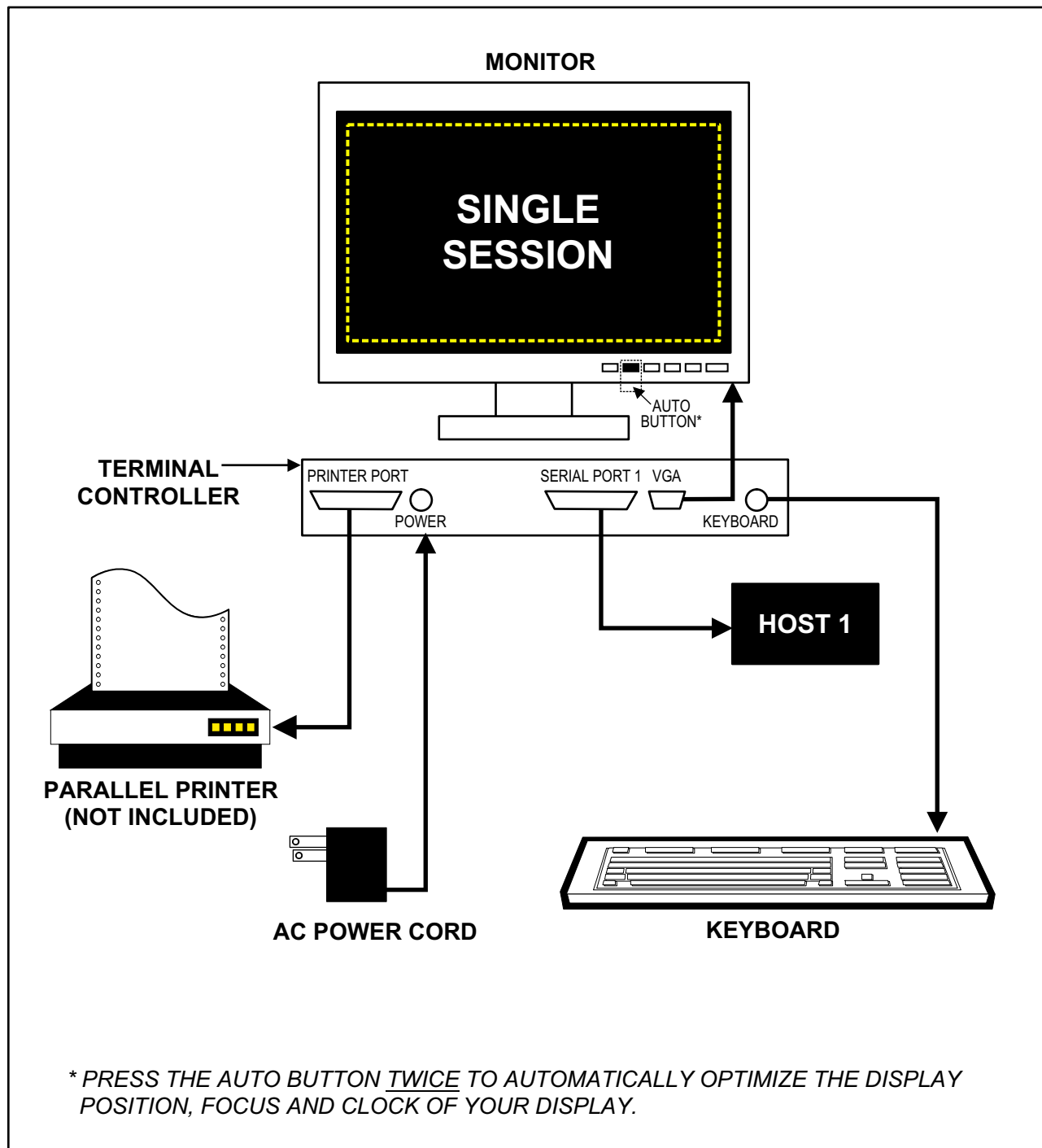
LOCAL ACCESS TERMINAL CONFIGURATION	Page	1
TERMINAL COMMAND KEYS	Page	2
TERMINAL SETUP	Page	3
CHANGING THE SERIAL PORT SETTINGS	Page	4
CHANGING THE HOST SETTINGS	Page	4
PROGRAMMING FUNCTION KEYS	Page	5
CHANGING THE SCREEN TITLE	Page	6
DEFAULT SETUP	Page	7



TT-VT100S Quick Guide

LOCAL ACCESS TERMINAL CONFIGURATION

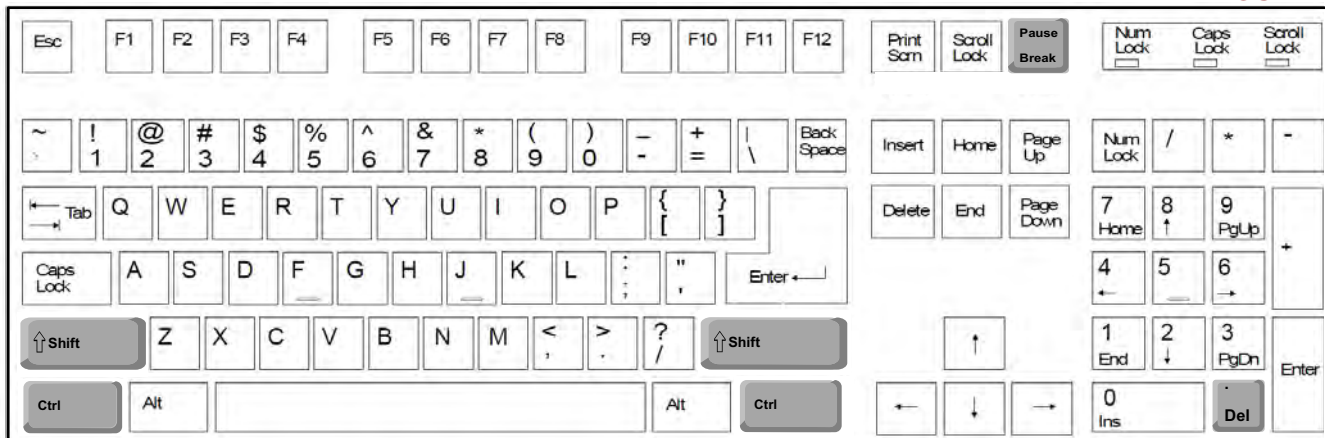
FIGURE 1



TT-VT100S Quick Guide

TERMINAL COMMAND KEYS

FIGURE 2



PRINT	<p>Press Ctrl + Shift + • (Decimal on the Number Pad)</p> <div style="text-align: center; margin-top: 10px;"> </div>
SEND BREAK	<p>Press Ctrl + Pause/Break Key</p> <div style="text-align: center; margin-top: 10px;"> </div>

Note:

The following pages show how to make adjustments to the terminal when required.

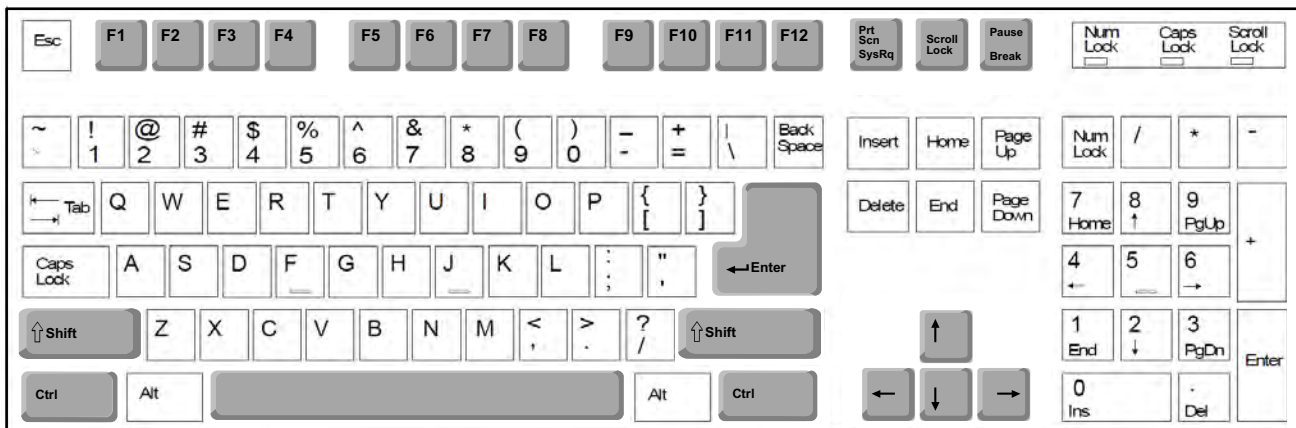
TT-VT100S Quick Guide

TERMINAL SETUP

FIGURE 3

The screenshot shows a terminal setup interface with a menu at the top: F1 Quick, F2 Genrl, F3 Displ, F4 Kybd, F5 Keys, F6 Ports, F7 Host, F8 Print, F9 Emul, F10 Tabs, F11 AnsBk, F12 Prog, and PrtSc Exec. The main area is divided into sections: 'Parameters' (Emulation=VT-100, Comm Mode=Full Duplex, Host/Printer=SER1/Para), 'SER1 Baud Rate = 9600' (with a 'Choices' list below: 300, 600, 1200, 2400, 4800, 9600, 19200), and 'SER1 Data Format=8/1/N' (Language=U.S.). A 'Save all? (Y/N)' prompt is at the top right. At the bottom, navigation instructions are provided: '↑→↓← : Parameter', 'Enter/S-Enter : Next/Prev Choice', and 'Exit : Pause Key'.

FIGURE 4

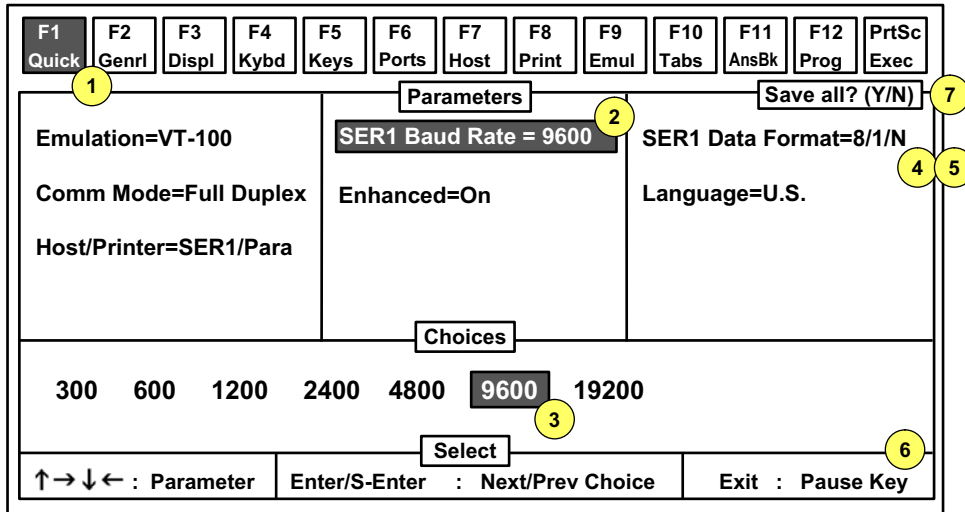


ENTER SETUP SCREEN	Press Ctrl + Scroll Lock +
SELECT MENU	Press F1 - Prt Scn <i>(see pg. 7 for Default Setup)</i>
NAVIGATE PARAMETERS	Press the Arrow Keys
NAVIGATE CHOICES	Press Enter or Spacebar (moves forward) or
	Press Shift + Enter (moves backward) +
EXIT SETUP SCREEN	Press the Pause Key (when prompted to "Save all", press Y key to Save or N key to discard)

TT-VT100S Quick Guide

CHANGING THE SERIAL PORT SETTINGS

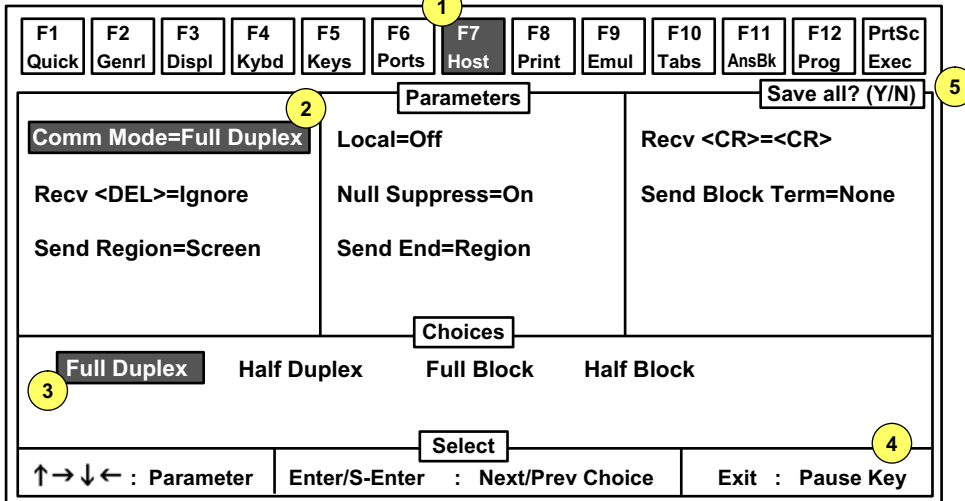
FIGURE 5



1. Press the **F1** button
2. Use the **Arrow Keys** to move to **SER1 Baud Rate (SER1 = Serial Port 1)**
3. Press **Enter** or **Spacebar** until the correct **Choice** is highlighted
4. Use the **Arrow Keys** to move over to **SER1 Data Format**
5. Press **Enter** or **Spacebar** until the correct **Choice** is highlighted
6. When finished, press the **Pause Key** at the top right of the keyboard
7. When prompted with "**Save all?**", click **Y** to save the new **Parameters**

CHANGING THE HOST SETTINGS

FIGURE 6



1. Press the **F7** button
2. Use the **Arrow Keys** to move over to **Comm Mode**
3. Press **Enter** or **Spacebar** until the correct **Choice** is highlighted
Note: The common setting is either Full Duplex or Full Block
4. When finished, press the **Pause Key** at the top right of the keyboard
5. When prompted with "**Save all?**", click **Y** to save the new **Parameters**

TT-VT100S Quick Guide

PROGRAMMING FUNCTION KEYS*

*Each function key has (4) programmable registers per session such as *F/key*, *sh-F/key*, *ctrl-F/key* & *ctrl-sh-F/key* (These can be selected from the "Choices" located in the "Program" Parameter)

FIGURE 7

DO NOT LEAVE A SPACE HERE

`^[[17~`
 = ESC

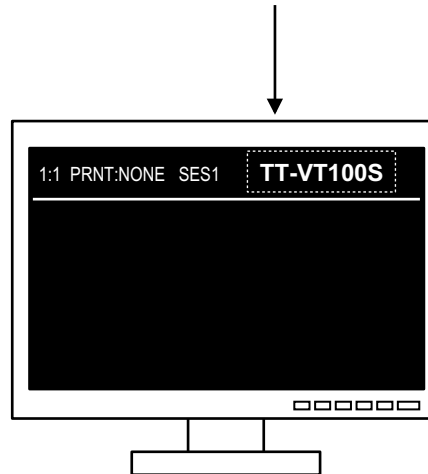
Note:
For ^ press Shift+6

1. Press the **F12** button
2. The cursor will appear in the "Key" Field with F1 as the default
3. Select a new function key to program by pressing **Enter** or **Spacebar** until the correct **Choice** is highlighted (for example choose F7)
4. Arrow down to move to the "Text" Field
5. Type in the "Function" for the key. *CAUTION: The first character in the Text Field cannot be left blank*
Example: To program `ESC[17~` Type: `Shift+6` `[[17` `Shift+`` = `(^[[17~)`
6. To program another function, arrow back up to the "Key" Field & repeat steps 3-5
7. When finished, press the **Pause Key** at the top right of the keyboard
8. When prompted with "**Save all?**", click **Y** to save the new **Parameter**

TT-VT100S Quick Guide

CHANGING THE SCREEN TITLE

Note: This will change the title at the top of the Session.



DISPLAY ON MONITOR

FIGURE 8

F1 Quick	F2 Genrl	F3 Displ	F4 Kybd	F5 Keys	F6 Ports	F7 Host	F8 Print	F9 Emul	F10 Tabs	F11 AnsBk	F12 Prog	PrtSc Exec	
Parameters											Save all? (Y/N)		
Answerback Mode=Off				Answerback Conceal									
Answerback Message: <input type="text"/>													
Screen Title: <input type="text" value="TT-VT100S_"/>													
Choices													
<Backspace> : Delete Character <Shift><Backspace> : Default Field													
Select													
↑→↓← : Parameter				Enter/S-Enter : Next/Prev Choice				Exit : Pause Key					

1. Press the **F11** button
2. Use the **Arrow Keys** to move the cursor down to **Screen Title**
3. Type in a Title for the Session (Example: TT-VT100S)
4. When finished, press the **Pause Key** at the top right of the keyboard
5. When prompted with "Save all?", click **Y** to save the new **Parameters**

TT-VT100S Quick Guide

DEFAULT SETUP

Note: Items in **Bold** may require Local Settings.

FIGURE 9

Menu	Key	Parameters Available (Not all will display for a given emulation, keyboard, or video mode)		
Quick	F1	Emulation = VT-100 Comm Mode = Full Duplex Host/Printer = SER1/Para	SER1 Baud Rate = 9600 Enhanced = On	SER1 Data Format = 8/1/N Language = U.S.
General	F2	Emulation = VT-100 Screen Saver = Off Warning Bell = On Host/Printer = SER1/Para	Enhanced = On Auto Page = Off Bell Length = 350 ms	Auto Wrap = On Auto Scroll = On Bell Volume = 0
Display	F3	Page Length = 24 Display Cursor = On Columns = 80	Screen Length = 26 Lines Cursor = Blink Block Erase Color = Black	Screen Video = Normal Auto Adjust Cursor = On Scroll Speed = Full
Keyboard	F4	Language = U.S. Key Click = On Num Lock = Toggle	Char Set Mode = ANSI Key Repeat = Off Key Lock = Reverse	Margin Bell = Off Key Rate = 20 cps Caps Lock = Toggle
Keys	F5	Enter Key = <CR> Alt Key = Compose UDKS = Emul Dependent	Return Key = <CR> Disconnect = Pause	Backspace = <BS>/<BS> Return Key Repeat = Off
Ports	F6	SER1 Baud Rate = 9600 SER1 Xmt = Xon-Xoff SER1 Break = 250 ms	SER1 Data Format = 8/1/N SER1 Recv = Xon-Xoff(XPC) SER1 Modem Control = Off	SER1 Parity Check = Off SER1 Xmt Pace = Baud SER1 Disconnect = 2 sec
Host	F7	Comm Mode = Full Duplex Recv = Ignore Send Region = Scroll	Local = Off Null Suppress = On Send End = Region	Recv <CR> = <CR> Send Block Term = None
Print	F8	Prnt Mode = Normal	Prnt Region = Screen	Prnt Block = None
Emulation	F9	Numeric Kpd = Numeric ANSI-ID = VT-100 Status Line = Indicator	Cursor Kpd = Cursor Feature Lock = Off	Send Data = All Function Key Lock = Off
Tabs	F10	Auto Init Tabs = Off	Default Tabs	
Answerback	F11	Answerback Mode = Off	Answerback Conceal	
Program	F12	Key = F6 Text: rst:aivlc	Program = F/Key	Key Dir = Comm Dependent
Execute	Prt Sc	Save Terminal Reset Terminal Clear Screen	Recall Terminal Default Session UDKS Terminal Version	Default Terminal Reset Ports Update Terminal
Exit Setup	Pause	Save all? (Y/N)		