

Portable "C" - HDSL Powering Test Unit Kit

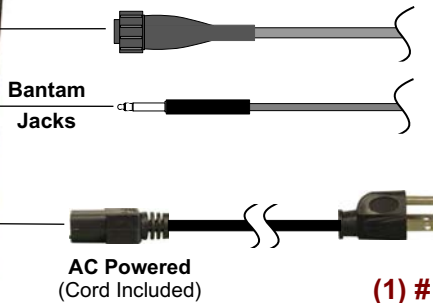
PHTUC-KIT01

The Kit Includes: (1) # PHTUC-01
Portable "C" -
HDSL Powering Test Unit
w/ AC Power Cord

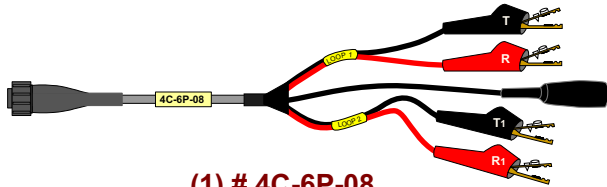
PN # PHTUC-KIT01
Portable "C" -
HDSL Powering Test Unit Kit



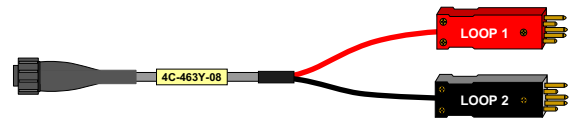
1 Slot (2 & 4 Wire)
(3192 Mech. Card not included)



(1) # 600510
Carrying Case
AT&T PID # ATT.200002321
(carrying case only)



(1) # 4C-6P-08
Male Lock Plug to (4) 6P Alligator Clips w/ GND, (8')
AT&T PID # ATT.200002327 (cord only)



(1) # 4C-463Y-08
Male Lock Plug to 5 Pin "Y" Protector, (8')
AT&T PID # ATT.200002325 (cord only)

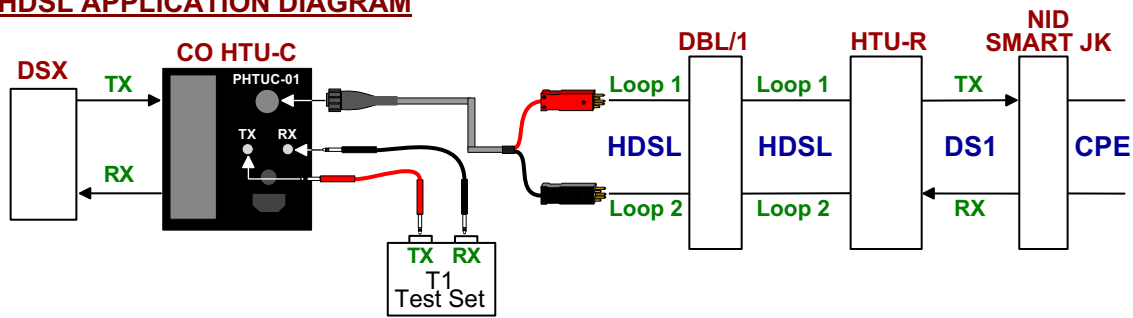


(1) # 400210BK
Bantam to Bantam Test Cord - Black, (6')



(1) # 400210RD
Bantam to Bantam Test Cord - Red, (6')

HDSL APPLICATION DIAGRAM



Ordering Information:

PHTUC-KIT01 Portable "C" - HDSL Powering Test Unit Kit
includes: (1) PHTUC-01, (1) 4C-6P-08, (1) 4C-463Y-08,
(1) 400210RD, (1) 400210BK & (1) 600510

AT&T PID # (KIT)
ATT.200002322

150 Cooper Rd. (F-15)
W. Berlin, NJ 08091

www.tagcords.com

Telecom Assistance Group

Telephone: (856) 753-8585
Fax : (856) 768-7645