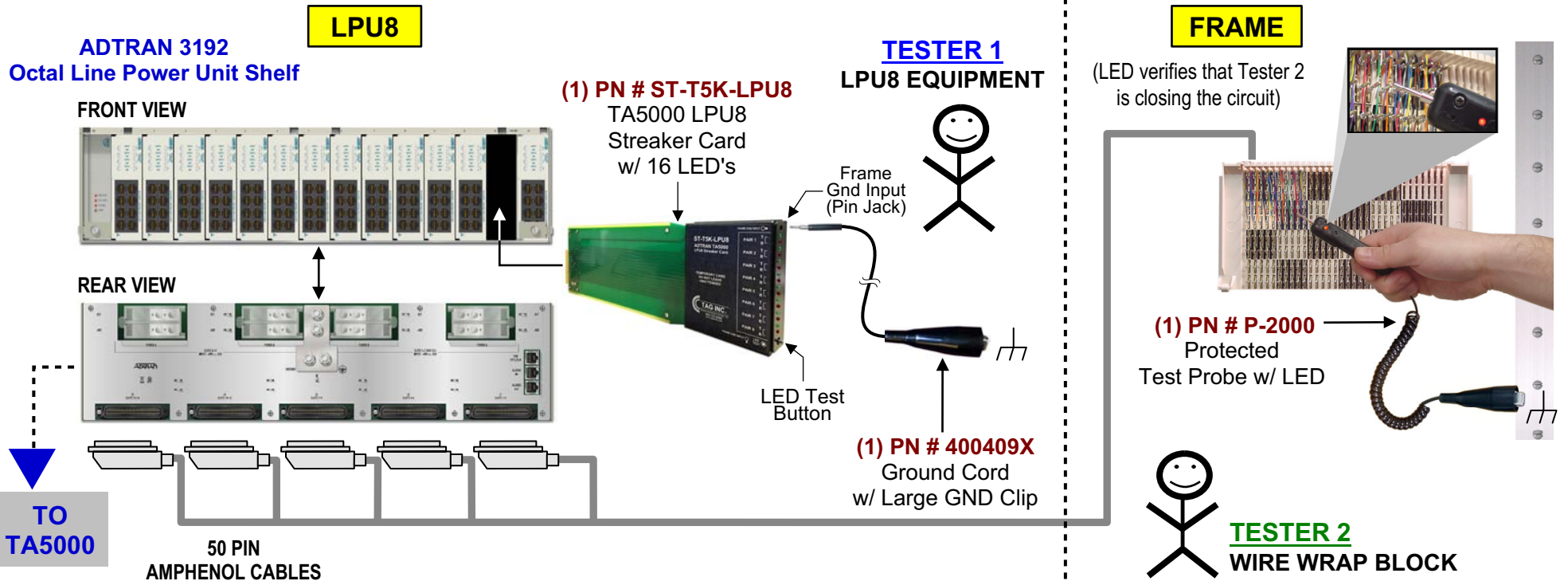


Adtran TA5000 Line Powering Unit (LPU8) Streaker Kit

KIT-T5K-LPU8



(1) PN # 600209N
Carrying Case
Approx. Dimensions: 9" (H) x 16" (L)

Ordering Information:

KIT-T5K-LPU8	Adtran TA5000 LPU8 Streaker Kit includes: (1) ST-T5K-LPU8, (1) 400409X, (1) P-2000 & (1) 600209N	Call for Pricing
ST-T5K-LPU8	Adtran TA5000 8 Port LPU8 Streaker Card w/ 16 LED's (includes standard GND cord, PN # 400409)	
400409X	Ground Cord, Pin Plug to Large GND Clip, (6')	
P-2000	Protected (-48V) Test Probe w/ LED, (6')	
600209N	Carrying Case	

150 Cooper Rd. (F-15)
W. Berlin, NJ 08091

www.tagcords.com

Telecom Assistance Group

Telephone: (856) 753-8585
Fax: (856) 768-7645