
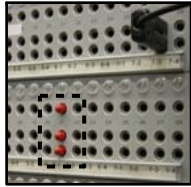

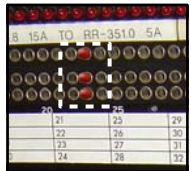

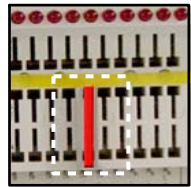

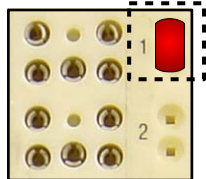







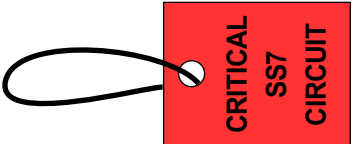


SS7 Audit Kit

SS7-KIT

Dummy Plugs		Carrying Case Included
QTY / PN # / DESC.	(not to scale)	
(20) 310DP 310 Dummy Plug		
(20) 210DP Bantam Dummy Plug		
(8) 800DP 800 DSX Dummy Plug		
(10) 453ADP 453A Dummy Plug		
<ul style="list-style-type: none"> Plugs into vacant 310 (PN # 310DP), bantam (PN # 210DP), 800 DSX (PN # 800DP) or 453A (PN # 453ADP) jacks Used to prevent accidental insertion / disruption of the circuit Identifies special circuits (i.e. SS7 circuits) 		

Protective Caps		(not to scale)
QTY / PN #	Description	
(50) SS7-2P	SS7 2 Pin Cap (1/2)	
(50) SS7-3P	SS7 3 Pin Cap (5/8)	
(24) SS7-6P	SS7 6 Pin Cap (1 3/8)	
<ul style="list-style-type: none"> Placed over wire wrap terminals at MDF Frames Identifies special circuits (i.e. SS7 circuits) 		

Labels & Tags		(approx. size)
PN #	Description / QTY	
SS7-LB1	SS7 Labels, (SM) (QTY of 50)	
SS7-LB2	SS7 Labels, Rectangle (SM) (QTY of 50)	
SS7-LB3	SS7 Labels, Rectangle (LG) (QTY of 25)	
SS7-LBL3B	SS7 Labels, Rectangle (XLG) (QTY of 25)	
SS7-TAG	SS7 Threaded Tag (QTY of 50)	

150 Cooper Rd. (F-15)
W. Berlin, NJ 08091

www.tagcords.com
Telecom Assistance Group

Telephone: (856) 753-8585
Fax : (856) 768-7645