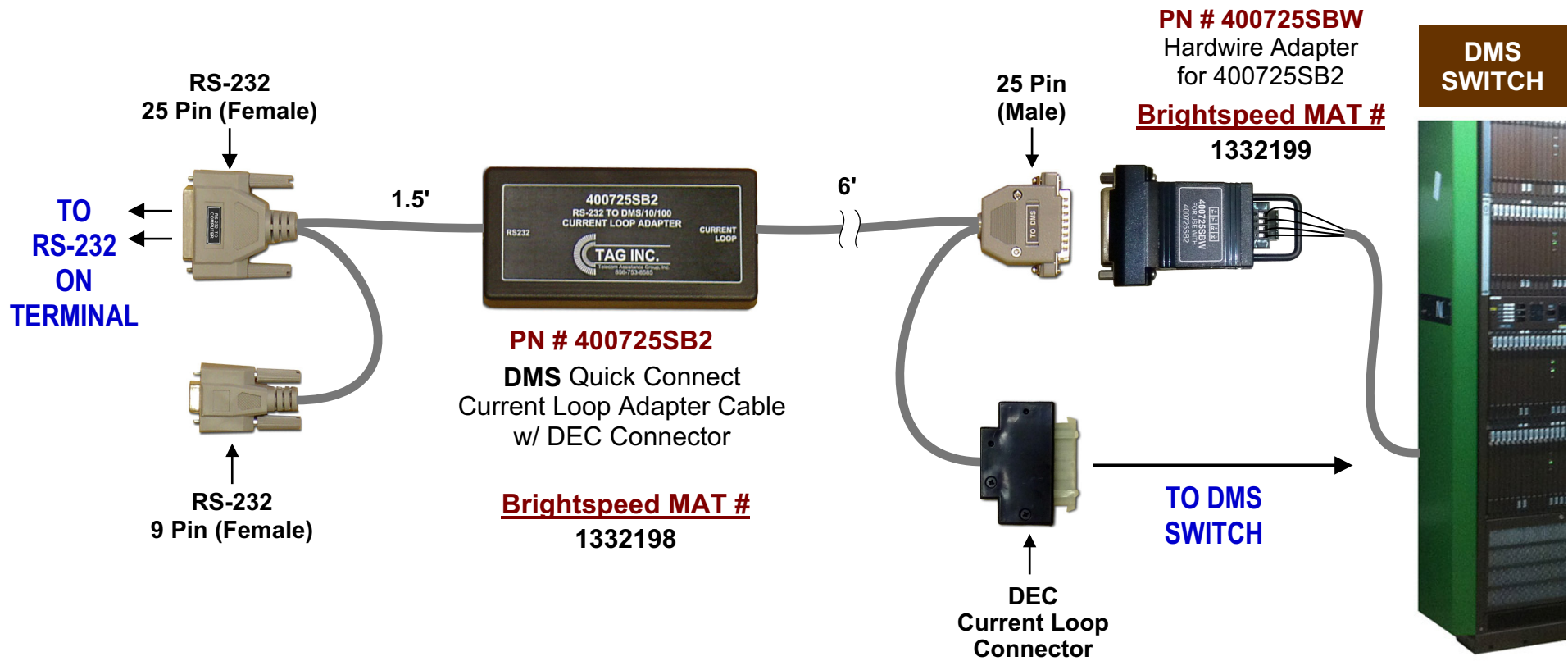


# DMS Quick Connect Current Loop Adapter Cable w/ DEC Connector

400725SB2



## Ordering Information:

		<b>Brightspeed MAT #</b>
<b>400725SB2</b>	<b>DMS Quick Connect Current Loop Adapter Cable w/ DEC Connector</b> <i>(RS-232 to DMS/100/10, DB25M)</i>	<b>1332198</b>
<b>400725SBW</b>	<b>Hardwire Adapter for 400725SB2</b>	<b>1332199</b>

150 Cooper Rd. (F-15)  
W. Berlin, NJ 08091

[www.tagcords.com](http://www.tagcords.com)

**Telecom Assistance Group**

Telephone: (856) 753-8585  
Fax: (856) 768-7645