

Alcatel 7300 ASAM LP-UD Streaker Card ST-ALC7300UD Practice

| | |
|--|--------------|
| 1. GENERAL | 1 |
| 2. APPLICATION | 1 |
| 3. PROCEDURE | 1 |
| 4. PHYSICAL DESCRIPTION and CONNECTIONS | 2 |
| 5. TESTING EQUIPMENT | 3 |
| 6. STEP BY STEP TEST PROCEDURE | 4 - 5 |
| 7. CABLING/WIRING DIAGRAM | 6 |
| 8. WIRING BLOCK DIAGRAM | 7 |
| 9. CONTINUITY TEST DATA SHEET | 8 |

GENERAL

This practice describes Telecom Assistance Group's ST-ALC7300UD - Alcatel 7300 ASAM LP-UD Streaker Card. The ST-ALC7300UD is used when installing the Alcatel 7300 ASAM "Low Profile Ultra Density" system. The ST-ALC7300UD is a temporary test card that plugs in the Alcatel 7300 ASAM LP-UD shelf (3EC17849AA or 3EC17849AB) and is used to confirm wiring from the shelf to the corresponding Main Distribution Frame (MDF) connection points.

For complete information: See Page 2 - Physical Description and Connections.

APPLICATION

The Alcatel 7300 ASAM LP-UD Streaker Cards (ST-ALC7300UD) are utilized by installers and audit (acceptance) personnel. The Streaker card verifies wiring from the LP (Low Pass) card slots / backplane / telecom cabling to the wire termination points at the Main Distribution Frame (MDF). The "streaker" test determines whether or not the LP card slots are properly connected through the interconnect wiring. The ST-ALC7300UD is powered by shelf power if present or a 9-Volt battery if no shelf power is present.

Note: The ST-ALC7300UD Streaker Card is a temporary test card. Do not leave Streaker Card unattended while plugged into a LP Card Slot.

PROCEDURE

The test procedure typically requires two (2) people for ease of testing. Tester 1 plugs the ST-ALC7300UD into the Alcatel 7300 ASAM LP-UD Shelf (3EC17849AA or 3EC17849AB).

Tester 2 grounds the corresponding wire wrap connection points. Tester 1 observes the illuminated LED's to verify the wiring.

See Pages 4 - 5 for Step-by-Step Test Procedures.

Alcatel 7300 ASAM LP-UD Streaker Card ST-ALC7300UD Practice

4 Physical Description and Connections

- Alcatel 7300 ASAM Ultra Density Steaker Card- "Dual Mode" Shelf -48VDC Powered if present or 9V Battery if no Shelf Power
- 9V Battery or -48VDC Shelf Powered
- Continuity Test - 96 LED's (48 Green - Tip / 48 Red - Ring)
- Card Slot Power Indicator - Green LED
- LED Test
- Talk Set Jacks

Approx.
Dimensions: 17.5"(H) x 14.5"(W) x 1"(D)
Weight: 3 lbs.



The ST-ALC7300UD provides a quick method to verify wiring continuity "streak" from the Alcatel 7300 ASAM LP-UD low pass filter card slots (LP1 to LP9) to the cross connect Main Distribution Frame (MDF). At the cross connect block, Tester 2 will ground the connection point and the ST-ALC7300UD will light the LED associated with that connection. The wiring label on ST-ALC7300UD indicates LED's for 24 POTS circuits and 24 Line circuits. The ST-ALC7300UD is powered by shelf power if present or a 9-Volt battery if no shelf power is present.

Alcatel 7300 ASAM LP-UD Streaker Card ST-ALC7300UD Practice

5 Testing Equipment

The following equipment is required:

- At least one 7300 ASAM LP-UD Continuity Test Card, Part Number (**ST-ALC7300UD**) (also known as a Streaker Card) - 2 Cards are recommended to identify wiring errors at the Terminal Block.
- Protected Ground Probe, Part Number **P-2000**.
- Hands Free Talk Set, Part Number **TS-7300**. Tester 1 can communicate with Tester 2 via Hands Free Talk Set over spare pair.
- Continuity test data sheet (see Table B) - Page 8.

Part Number : ST-ALC7300UD
Description: Alcatel 7300 LP-UD
Streaker Card



Part Number: P-2000
Description: Protected Ground Probe w/ LED



Part Number: 400409
Description: Grounding Cord, (6')



Part Number: TS-7300
Description: Talk Set Kit
(2) Hands free talk set w/headphone/mic (TS-1C),
(1) Bantam to Wire Wraps - Talk Set Monitor 6' (400210TSW),
(1) Bantam to Pin Plugs 6' (400210P) & (1) Carrying Case (600209)



Part Number: 6007300UD
Description: Extra Large Carrying Case



Alcatel 7300 ASAM LP-UD Streaker Card ST-ALC7300UD Practice

6 Step by Step Procedure

TESTER 1

TESTER 1
Located at Front
of Alcatel LP-UD



Step Procedure

1. Press LED test button. If ALL LED's do not illuminate, replace battery.
2. Visually check connector on Streaker Card and backplane of Alcatel LP card slot for connector wear or pin obstruction.

Note:

*Due to the nature of high density connectors - do not overuse Streaker Cards
Connectors are rated for 500 insertions - Call 800-824-7005 to refurbish or re-order.*

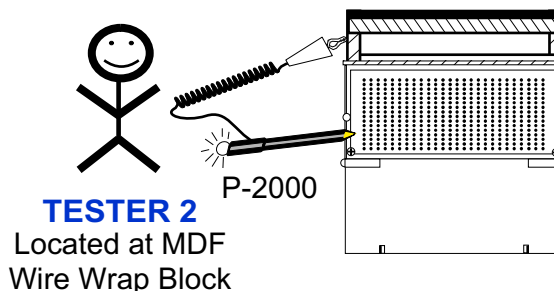
3. Verify proper alignment and insert ST-ALC7300UD into Low Pass Filter card slot 1 (LP 1).

*The streaker card is keyed for use only in the Low Pass filter slots of the LP-UD shelf.
Caution: "Please do not try to force the streaker card into LT Card Slots."*

4. Establish communication with Tester 2 at the Frame.
5. Have Tester 2 - Ground - Touch Probe P-2000 to Line 1 - TIP 1 wire wrap pin assignment.

TESTER 2

6. Connect test probe (P-2000) Alligator Clip to Frame Ground. Use probe end to "ground the corresponding wiring assignments" The LED on the probe will illuminate to indicate a connection to the Alcatel 7300 ASAM LP-UD Streaker Card.



TESTER 1

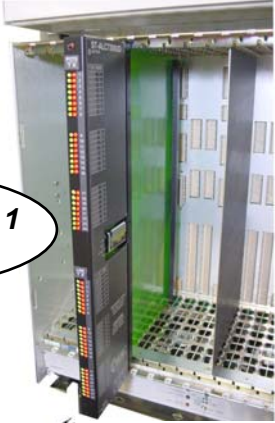
7. Verify that the correct LED on the streaker card is "ON" "GREEN" (Line 1 - TIP 1)

**Record PASS/FAIL data in Table B.
(See Page 8 for forms)**

| LED | LED Color | LED State | Explanation |
|---------------|-----------|-----------|--|
| LINE TIP # | Green | On | There is continuity in the circuit. |
| | | Off | There is no continuity in the circuit. |
| LINE : RING # | Red | On | There is continuity in the circuit. |
| | | Off | There is no continuity in the circuit. |
| POTS TIP # | Green | On | There is continuity in the circuit. |
| | | Off | There is no continuity in the circuit. |
| POTS : RING # | Red | On | There is continuity in the circuit. |
| | | Off | There is no continuity in the circuit. |

Alcatel 7300 ASAM LP-UD Streaker Card ST-ALC7300UD Practice

6 Step by Step Procedure



TESTER 1

Touch POTS 1 - Tip 1
Good! - PASS

PN # 400210P
Streaker Talk Cord
Bantam to Pin Plugs 6'

PN # TS-1C
Hands Free Talk Set
w/ Headset/Mic

3EC17849AA or 3EC17849AB

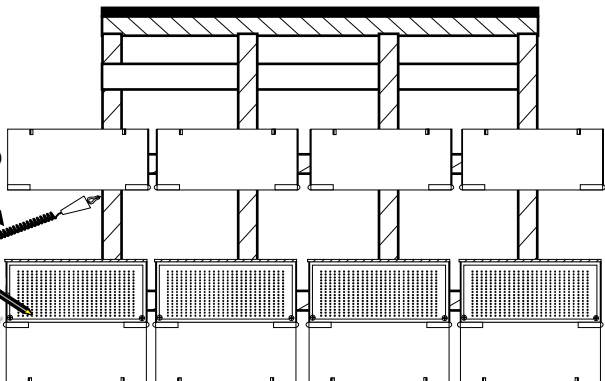
| | | | | | | | | | |
|---|---|---|---|---|---|---|---|---|---|
| L | L | L | L | L | L | L | L | L | L |
| T | T | P | P | T | T | P | P | T | T |
| 1 | 2 | 3 | 4 | 5 | 6 | 7 | 8 | 9 | |

Plug in LP Card Slots ** NOT LT Card Slots

| | LP1 | LP2 | LP3 | LP4 | LP5 | LP6 | LP7 | LP8 | LP9 |
|----|-----|-----|-----|-----|-----|-----|-----|-----|-----|
| 11 | | | | | | | | | |
| 12 | | | | | | | | | |
| 13 | | | | | | | | | |
| 14 | | | | | | | | | |
| 15 | | | | | | | | | |
| 16 | | | | | | | | | |
| 17 | | | | | | | | | |
| 18 | | | | | | | | | |
| 19 | | | | | | | | | |
| 20 | | | | | | | | | |
| 21 | | | | | | | | | |
| 22 | | | | | | | | | |
| 23 | | | | | | | | | |
| 24 | | | | | | | | | |
| 25 | | | | | | | | | |
| 26 | | | | | | | | | |
| 27 | | | | | | | | | |
| 28 | | | | | | | | | |
| 29 | | | | | | | | | |
| 30 | | | | | | | | | |
| 31 | | | | | | | | | |
| 32 | | | | | | | | | |
| 33 | | | | | | | | | |
| 34 | | | | | | | | | |
| 35 | | | | | | | | | |
| 36 | | | | | | | | | |
| 37 | | | | | | | | | |
| 38 | | | | | | | | | |
| 39 | | | | | | | | | |
| 40 | | | | | | | | | |
| 41 | | | | | | | | | |
| 42 | | | | | | | | | |
| 43 | | | | | | | | | |
| 44 | | | | | | | | | |
| 45 | | | | | | | | | |
| 46 | | | | | | | | | |
| 47 | | | | | | | | | |
| 48 | | | | | | | | | |
| 49 | | | | | | | | | |
| 50 | | | | | | | | | |
| 51 | | | | | | | | | |
| 52 | | | | | | | | | |
| 53 | | | | | | | | | |
| 54 | | | | | | | | | |

Continuity Test Data Sheet

MAIN DISTRIBUTION FRAME (MDF)



PN # P-2000
Protected -48V
Test Probe w/ LED

PN # 400210TSW
Terminal Block Talk Cord
Bantam to Wire Wraps, (6')

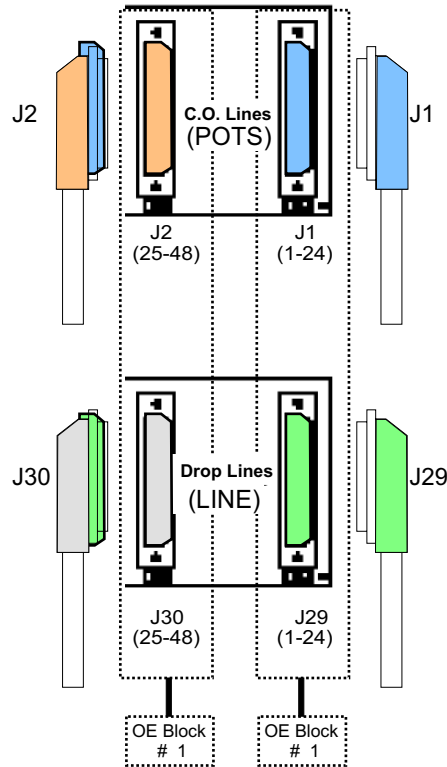
PN # TS-1C
Hands Free Talk Set
w/ Headset/Mic

TESTER 2

Located at MDF Terminal Blocks
(Wire Wrap Points)

Alcatel 7300 ASAM LP-UD Streaker Card ST-ALC7300UD Practice

7 Cabling/Wiring Diagram



| | | | | | |
|-------|---------------|----|----|--------------|-------|
| R24 | Brown/Violet | 1 | 26 | Blue/White | R1 |
| T24 | Violet/Brown | 2 | 27 | White/Blue | T1 |
| R23 | Green/Violet | 3 | 28 | Orange/White | R2 |
| T23 | Violet/Green | 4 | 29 | White/Orange | T2 |
| R22 | Orange/Violet | 5 | 30 | Green/White | R3 |
| T22 | Violet/Orange | 6 | 31 | White/Green | T3 |
| R21 | Blue/Violet | 7 | 32 | Brown/White | R4 |
| T21 | Violet/Blue | 8 | 33 | White/Brown | T4 |
| R20 | Slate/Yellow | 9 | 34 | Slate/White | R5 |
| T20 | Yellow/Slate | 10 | 35 | White/Slate | T5 |
| R19 | Brown/Yellow | 11 | 36 | Blue/Red | R6 |
| T19 | Yellow/Brown | 12 | 37 | Red/Blue | T6 |
| R18 | Green/Yellow | 13 | 38 | Orange/Red | R7 |
| T18 | Yellow/Green | 14 | 39 | Red/Orange | T7 |
| R17 | Orange/Yellow | 15 | 40 | Green/Red | R8 |
| T17 | Yellow/Orange | 16 | 41 | Red/Green | T8 |
| R16 | Blue/Yellow | 17 | 42 | Brown/Red | R9 |
| T16 | Yellow/Blue | 18 | 43 | Red/Brown | T9 |
| R15 | Slate/Black | 19 | 44 | Slate/Red | R10 |
| T15 | Black/Slate | 20 | 45 | Red/Slate | T10 |
| R14 | Brown/Black | 21 | 46 | Blue/Black | R11 |
| T14 | Black/Brown | 22 | 47 | Black/Blue | T11 |
| R13 | Green/Black | 23 | 48 | Orange/Black | R12 |
| T13 | Black/Green | 24 | 49 | Black/Orange | T12 |
| Spare | Violet/Slate | 25 | 50 | Slate/Violet | Spare |

| | | | | | | | | | | | | | | | | | | | | | | | | | | | |
|------------|----------------|---|------|------|------|------|------|------|------|------|------|------|-------|-------|-------|-------|-------|------|------|------|------|------|------|------|------|------|--|
| J2 | POTS | R | BL/W | Or/W | Gr/W | Br/W | SL/W | BL/R | Or/R | Gr/R | Br/R | SL/R | BL/Bk | Or/Bk | Gr/Bk | Br/Bk | SL/Bk | BL/Y | Or/Y | Gr/Y | Br/Y | SL/Y | BL/V | Or/V | Gr/V | Br/V | |
| | (25-48) | T | W/BL | W/Or | W/Gr | W/Br | W/SL | R/BL | R/Or | R/Gr | R/Br | R/SL | Bk/BL | Bk/Or | Bk/Gr | Bk/Br | Bk/SL | Y/BL | Y/Or | Y/Gr | Y/Br | Y/SL | V/BL | V/Or | V/Gr | V/Br | |
| J30 | LINE | R | BL/W | Or/W | Gr/W | Br/W | SL/W | BL/R | Or/R | Gr/R | Br/R | SL/R | BL/Bk | Or/Bk | Gr/Bk | Br/Bk | SL/Bk | BL/Y | Or/Y | Gr/Y | Br/Y | SL/Y | BL/V | Or/V | Gr/V | Br/V | |
| | (25-48) | T | W/BL | W/Or | W/Gr | W/Br | W/SL | R/BL | R/Or | R/Gr | R/Br | R/SL | Bk/BL | Bk/Or | Bk/Gr | Bk/Br | Bk/SL | Y/BL | Y/Or | Y/Gr | Y/Br | Y/SL | V/BL | V/Or | V/Gr | V/Br | |
| J1 | POTS | R | BL/W | Or/W | Gr/W | Br/W | SL/W | BL/R | Or/R | Gr/R | Br/R | SL/R | BL/Bk | Or/Bk | Gr/Bk | Br/Bk | SL/Bk | BL/Y | Or/Y | Gr/Y | Br/Y | SL/Y | BL/V | Or/V | Gr/V | Br/V | |
| | (1-24) | T | W/BL | W/Or | W/Gr | W/Br | W/SL | R/BL | R/Or | R/Gr | R/Br | R/SL | Bk/BL | Bk/Or | Bk/Gr | Bk/Br | Bk/SL | Y/BL | Y/Or | Y/Gr | Y/Br | Y/SL | V/BL | V/Or | V/Gr | V/Br | |
| J29 | LINE | R | BL/W | Or/W | Gr/W | Br/W | SL/W | BL/R | Or/R | Gr/R | Br/R | SL/R | BL/Bk | Or/Bk | Gr/Bk | Br/Bk | SL/Bk | BL/Y | Or/Y | Gr/Y | Br/Y | SL/Y | BL/V | Or/V | Gr/V | Br/V | |
| | (1-24) | T | W/BL | W/Or | W/Gr | W/Br | W/SL | R/BL | R/Or | R/Gr | R/Br | R/SL | Bk/BL | Bk/Or | Bk/Gr | Bk/Br | Bk/SL | Y/BL | Y/Or | Y/Gr | Y/Br | Y/SL | V/BL | V/Or | V/Gr | V/Br | |

Terminal Block # 1 (1 - 48)

Alcatel 7300 ASAM LP-UD Streaker Card ST-ALC7300UD Practice

9 Continuity Test Data Sheet

Tested by : _____

Shelf # : _____

Rack # : _____

TABLE B. (P) Pass (F) Fail

| | LP 1 | | LP 2 | | LP 3 | | LP 4 | | LP 5 | | LP 6 | | LP 7 | | LP 8 | | LP 9 | |
|-----|------|------|------|------|------|------|------|------|------|------|------|------|------|------|------|------|------|------|
| | POTS | LINE | POTS | LINE | POTS | LINE | POTS | LINE | POTS | LINE | POTS | LINE | POTS | LINE | POTS | LINE | POTS | LINE |
| T1 | | | | | | | | | | | | | | | | | | |
| T2 | | | | | | | | | | | | | | | | | | |
| T3 | | | | | | | | | | | | | | | | | | |
| T4 | | | | | | | | | | | | | | | | | | |
| T5 | | | | | | | | | | | | | | | | | | |
| T6 | | | | | | | | | | | | | | | | | | |
| T7 | | | | | | | | | | | | | | | | | | |
| T8 | | | | | | | | | | | | | | | | | | |
| T9 | | | | | | | | | | | | | | | | | | |
| T10 | | | | | | | | | | | | | | | | | | |
| T11 | | | | | | | | | | | | | | | | | | |
| T12 | | | | | | | | | | | | | | | | | | |
| T13 | | | | | | | | | | | | | | | | | | |
| T14 | | | | | | | | | | | | | | | | | | |
| T15 | | | | | | | | | | | | | | | | | | |
| T16 | | | | | | | | | | | | | | | | | | |
| T17 | | | | | | | | | | | | | | | | | | |
| T18 | | | | | | | | | | | | | | | | | | |
| T19 | | | | | | | | | | | | | | | | | | |
| T20 | | | | | | | | | | | | | | | | | | |
| T21 | | | | | | | | | | | | | | | | | | |
| T22 | | | | | | | | | | | | | | | | | | |
| T23 | | | | | | | | | | | | | | | | | | |
| T24 | | | | | | | | | | | | | | | | | | |
| R1 | | | | | | | | | | | | | | | | | | |
| R2 | | | | | | | | | | | | | | | | | | |
| R3 | | | | | | | | | | | | | | | | | | |
| R4 | | | | | | | | | | | | | | | | | | |
| R5 | | | | | | | | | | | | | | | | | | |
| R6 | | | | | | | | | | | | | | | | | | |
| R7 | | | | | | | | | | | | | | | | | | |
| R8 | | | | | | | | | | | | | | | | | | |
| R9 | | | | | | | | | | | | | | | | | | |
| R10 | | | | | | | | | | | | | | | | | | |
| R11 | | | | | | | | | | | | | | | | | | |
| R12 | | | | | | | | | | | | | | | | | | |
| R13 | | | | | | | | | | | | | | | | | | |
| R14 | | | | | | | | | | | | | | | | | | |
| R15 | | | | | | | | | | | | | | | | | | |
| R16 | | | | | | | | | | | | | | | | | | |
| R17 | | | | | | | | | | | | | | | | | | |
| R18 | | | | | | | | | | | | | | | | | | |
| R19 | | | | | | | | | | | | | | | | | | |
| R20 | | | | | | | | | | | | | | | | | | |
| R21 | | | | | | | | | | | | | | | | | | |
| R22 | | | | | | | | | | | | | | | | | | |
| R23 | | | | | | | | | | | | | | | | | | |
| R24 | | | | | | | | | | | | | | | | | | |