

**A.** WHEN THE TERMINAL IS FIRST INSTALLED, THE SCROLLING REGION IS NOT ESTABLISHED.

1. RE-ESTABLISH THE SCROLLING REGION BY ENTERING PAGE 120 (NOTES).
2. GO TO THE TOP ZONE TO CLEAR THE SCREEN.
3. THEN EXIT PAGE 120 BACK TO THE PAGE YOU WERE ON (PAGE 100 FOR EXAMPLE).

**B.** THE EMERGENCY ACTION KEY (F1) MAY BE DISABLED IN THE SWITCH -

THE TERMINAL SENDS THE PROPER EA CODE BUT THE 5ESS DOES NOT RESPOND BECAUSE EA IS DISABLED AT THE TERMINAL.

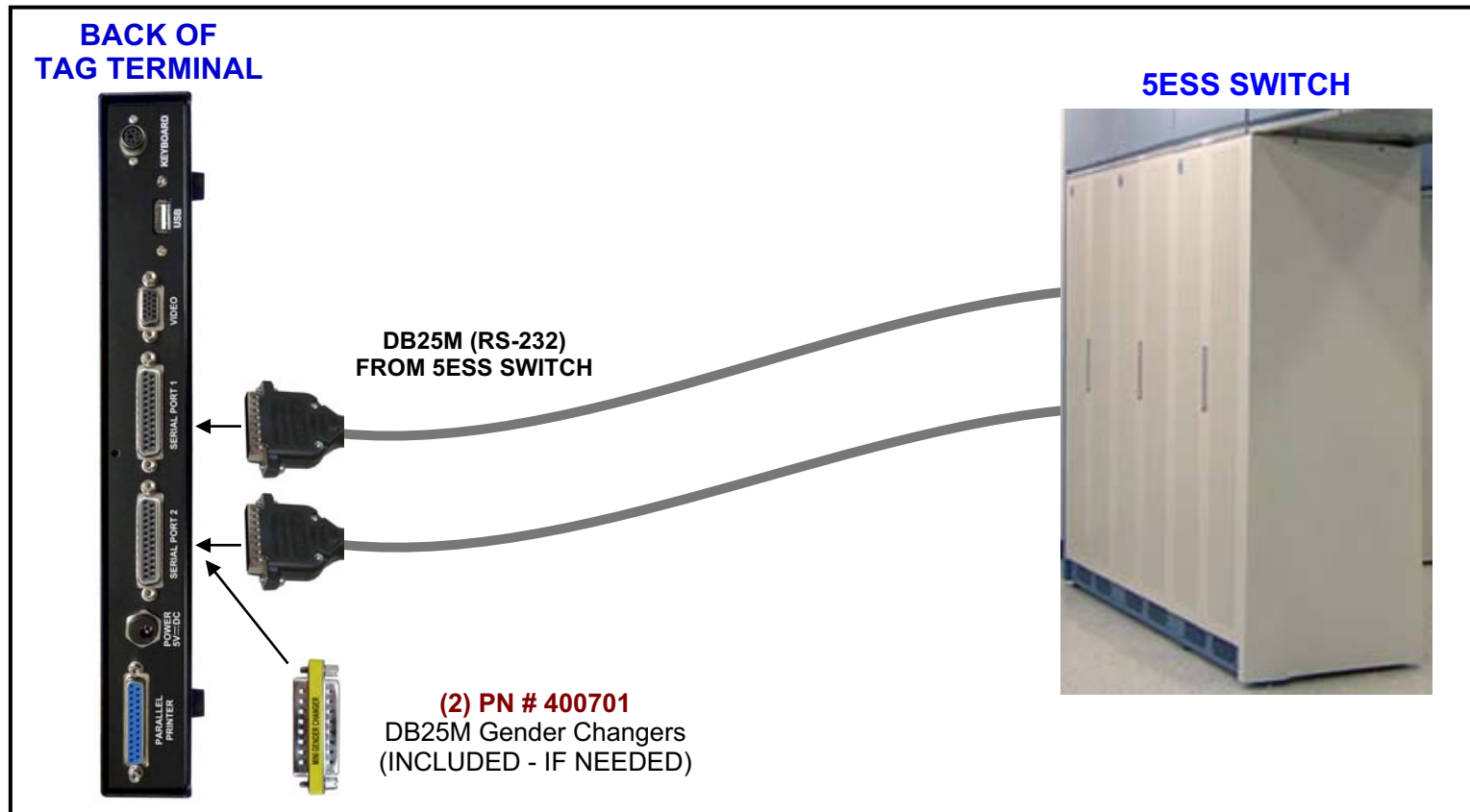
## NOTES & TIPS

## 5ESS INSTALLATION NOTES

### IF YOU HAVE:

- 25 PIN MALE (RS-232) CONNECTOR FROM THE SWITCH,  
PLUG IT TO THE TERMINAL AS SHOWN (SEE FIGURE 1)
- 25 PIN FEMALE (RS-232) CONNECTOR FROM THE SWITCH,  
USE THE INCLUDED GENDER CHANGERS & PLUG IT TO THE TERMINAL

FIGURE 1



150 Cooper Rd. (F-15)  
W. Berlin, NJ 08091

[www.tagcords.com](http://www.tagcords.com)

**Telecom Assistance Group**

Telephone: (856) 753-8585

Fax: (856) 768-7645

# NOTES & TIPS

# 5ESS INSTALLATION NOTES

**IF YOU HAVE:**

- OPTO ADAPTER WITH SMA 906 MULTIMODE FIBER CORDS FROM THE SWITCH, PLUG IT TO THE TERMINAL
- CHECK THE SETTINGS AS SHOWN (SEE FIGURE 3)

FIGURE 2

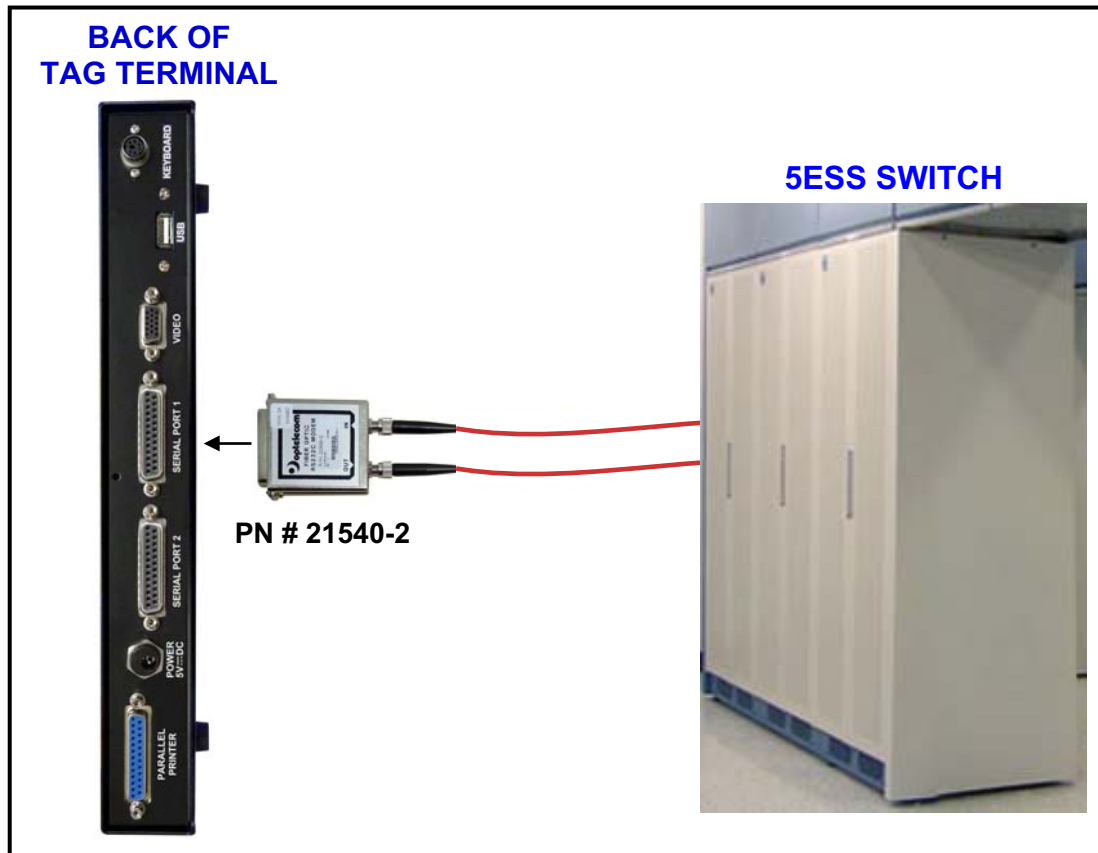
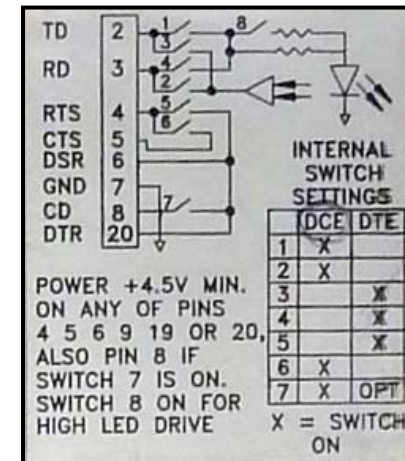


FIGURE 3

BACK LABEL OF PN # 21540-2



**SETTINGS:**

- MODEL OPTELECOM FIBER OPTIC RS232C MODEM (PN # 21540-2) OUT PUTS ON DB25 MALE.
- SET UP PER BACK LABEL "DCE", OUT ON PIN 3, IN ON PIN 2, PIN 20 TO 8 & 6 & 4.