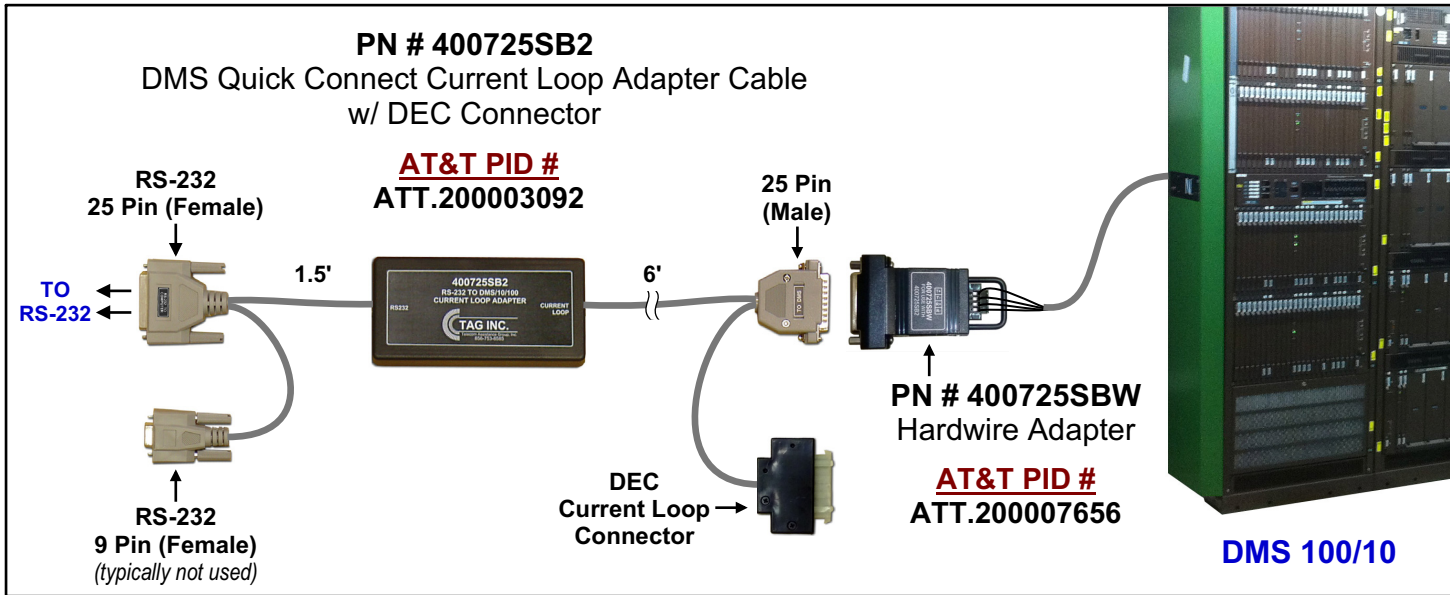


DMS/100/10 Current Loop Adapter & Accessories



Also Available -



PN # 400725LB
DB25M to DB25F
Mini Tracer

AT&T PID #
ATT.200007658

Application:

TAG's Current Loop Adapter Cable (# 400725SB2) is used to program and troubleshoot a DMS. The Hardwire Adapter (# 400725SBW) connects the TX (+/-) and RX (+/-) current loop wires to a 25 Pin female connector. It is used with the 400725SB2 Current Loop Adapter when the DMS 100/10 System doesn't have a DEC connector.

Ordering Information:

		AT&T PID #
400725SB2	DMS Quick Connect Current Loop Adapter Cable w/ DEC Connector	ATT.200003092
400725SBW	Hardwire Adapter for 400725SB2	ATT.200007656
400725LB	DB25M to DB25F Mini Tracer	ATT.200007658
TT-DCA5-PP	Replacement Power Pack for Single/Dual Session Terminals, 5VDC (not shown)	ATT.200009334

150 Cooper Rd. (F-15)
W. Berlin, NJ 08091

www.tagcords.com

Telecom Assistance Group

Telephone: (856) 753-8585

Fax: (856) 768-7645