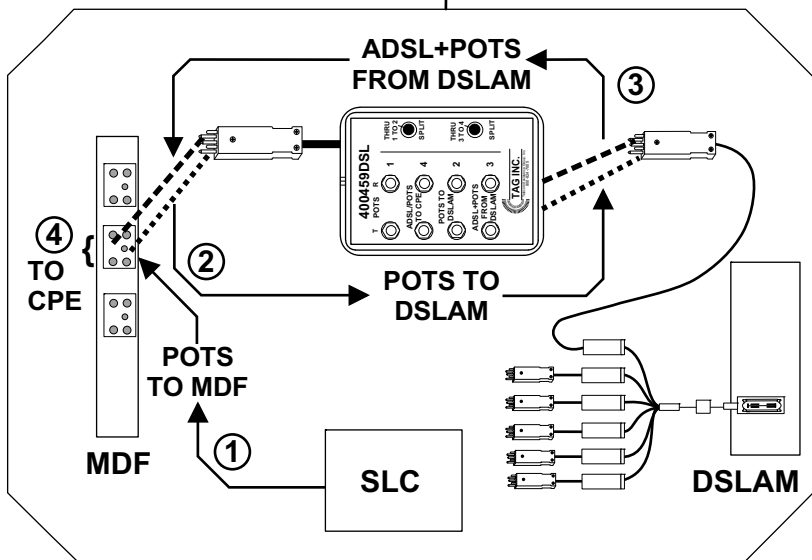
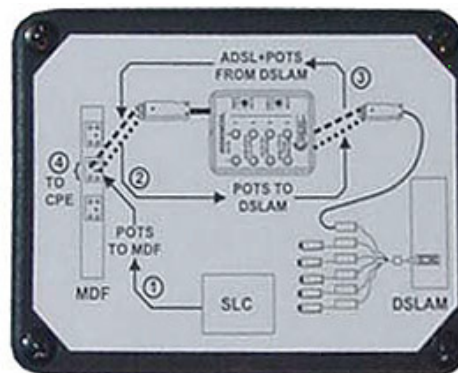


DSL Breakout Box

400459DSL

Protector to DSL Breakout Box



Application:

Telecom Assistance Group's 400459DSL breakout box is used so that ADSL technicians can isolate DSL troubles at DSLAM locations.

Ordering Information:

400459DSL Protector to DSL Breakout Box, (3')

12 STATE

SOUTHEAST

ATT.100041973

ATT.100011625

150 Cooper Rd. (F-15)
W. Berlin, NJ 08091

www.tagcords.com

Telephone: (856) 753-8585
Fax : (856) 768-7645

Telecom Assistance Group