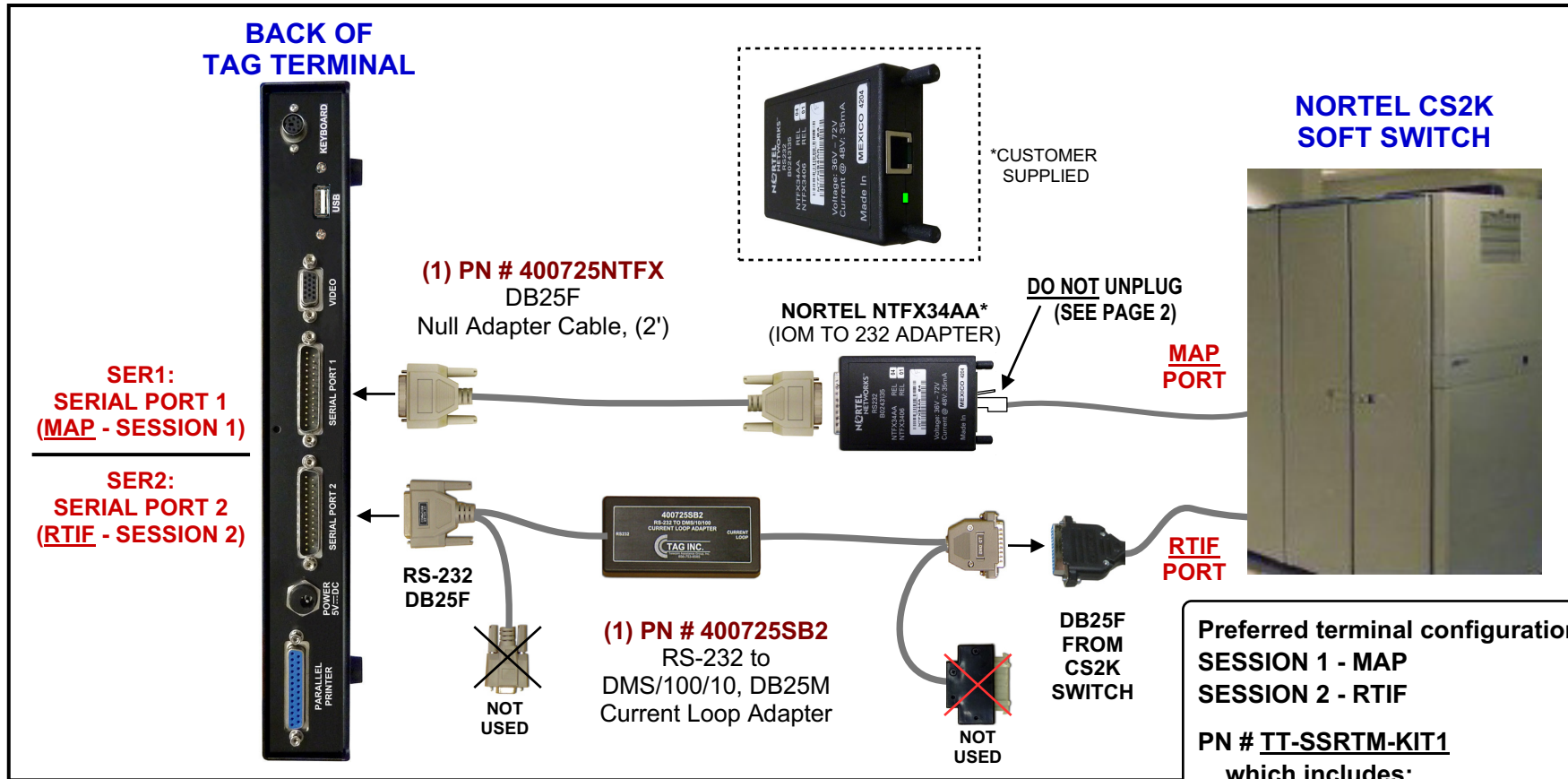


NOTES & TIPS

TT-SSRTM-KIT1 INSTALLATION NOTES

FIGURE 1



NOTES:

SETUP SAME AS DMS BUT WITH HARDWARE HANDSHAKE

- HANDSHAKE COULD BE NONE
- BAUD 2400 TO 9600
- WHEN ATTACHING THE MAP TERMINAL (NEW OR OLD), THE PORT NEEDS TO BE DEACTIVATED AND REACTIVATED TO START OPERATION. THIS IS DONE FROM THE REMOTE COMMAND (NETWORK ACCESS) TERMINAL

150 Cooper Rd. (F-15)
W. Berlin, NJ 08091

www.tagcords.com
Telecom Assistance Group

Telephone: (856) 753-8585
Fax : (856) 768-7645

NOTES & TIPS

TT-SSRTM-KIT1 INSTALLATION NOTES

* WARNING *

DO NOT UNPLUG THE RJ48 CABLE FROM THE NORTEL ADAPTER.

- IF IT IS NECESSARY TO DISCONNECT THIS CABLE, THE ADAPTER WILL LOSE ITS SET UP INFORMATION. FOLLOW THE STEPS BELOW TO RESTART THE ADAPTER (PORT).

TO RE-SYNC THE NORTEL NTFX34AA* ADAPTER - THE FOLLOWING SWITCH SETUP STEPS MAY BE HELPFUL:

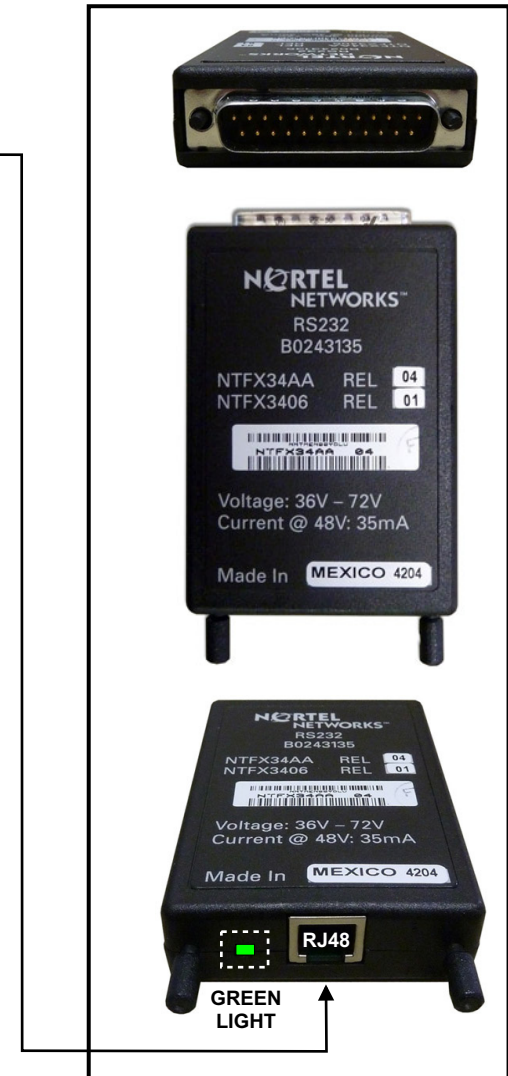
1. BUSY PORT
2. TAKE OFFLINE
3. BUSY PORT AGAIN
4. THEN "RTS" THE PORT

THIS SHOULD RE-ACTIVATE THE MAP TERMINAL.

NOTE: THE GREEN LIGHT ON THE NORTEL NTFX34AA ADAPTER SHOULD BE ON.

**NTFX34AA ADAPTER IS CUSTOMER SUPPLIED*

FIGURE 2



NOTES & TIPS

DMS CURRENT LOOP INSTALLATION NOTES

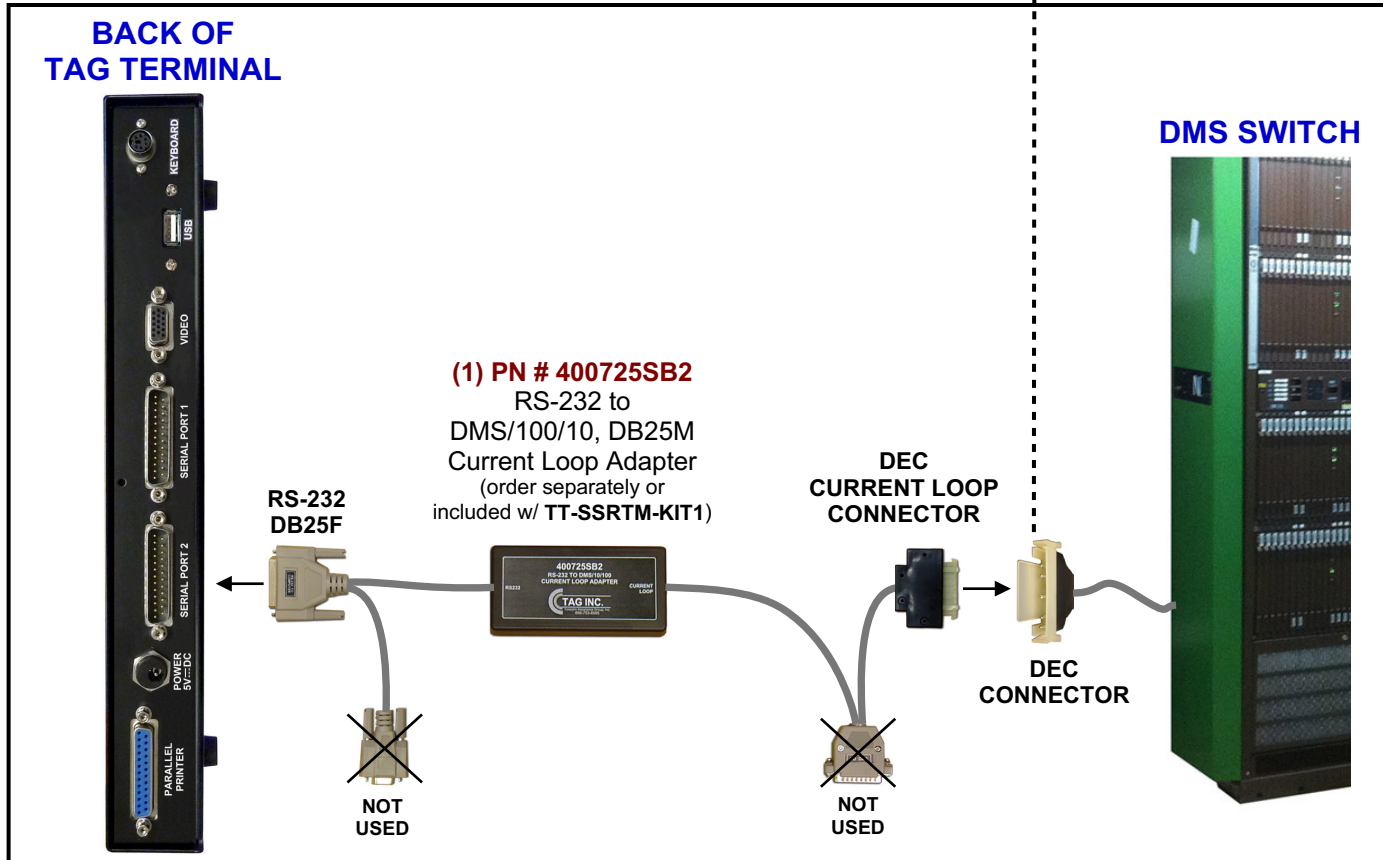
IF YOU HAVE:

FLAT DEC CONNECTOR FROM THE SWITCH

- USE THE 400725SB2 CURRENT LOOP ADAPTER



FIGURE 3



150 Cooper Rd. (F-15)
W. Berlin, NJ 08091

www.tagcords.com
Telecom Assistance Group

Telephone: (856) 753-8585
Fax : (856) 768-7645

NOTES & TIPS

DMS CURRENT LOOP INSTALLATION NOTES

IF YOU HAVE:

A CURRENT LOOP TO MMJ ADAPTER FROM THE SWITCH

- USE THE 400725SB2 CURRENT LOOP ADAPTER

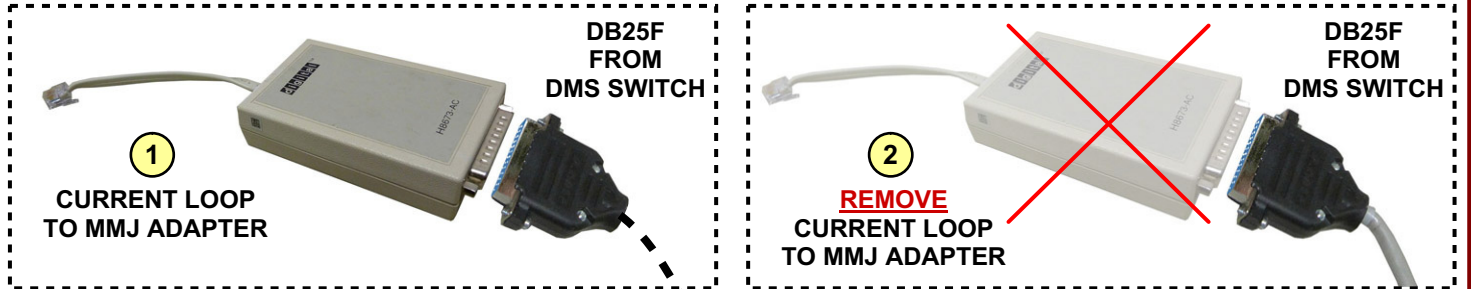
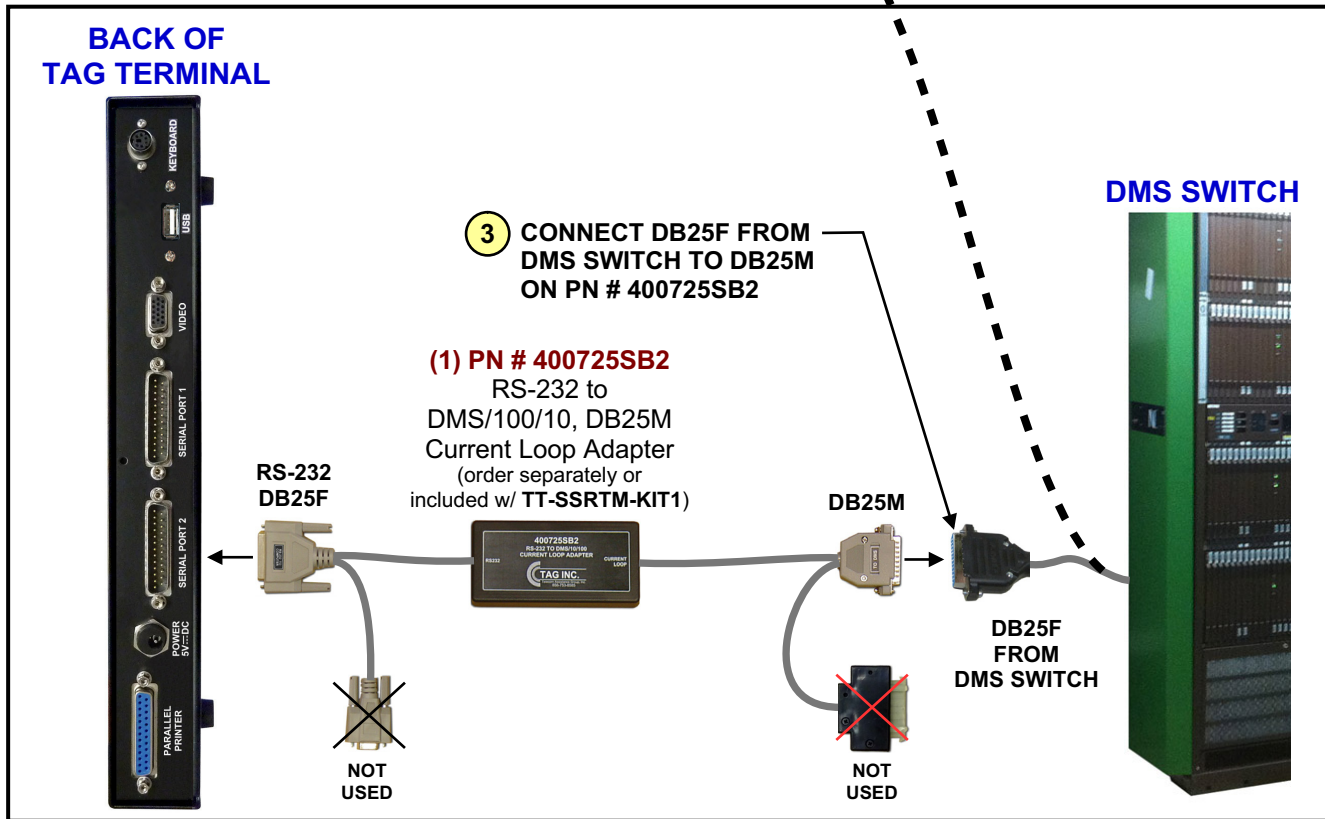


FIGURE 4



150 Cooper Rd. (F-15)
W. Berlin, NJ 08091

www.tagcords.com
Telecom Assistance Group

Telephone: (856) 753-8585
Fax: (856) 768-7645

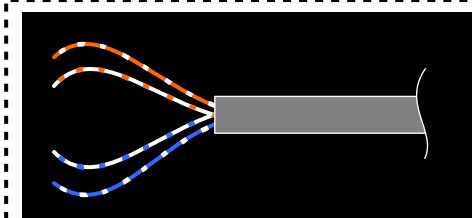
NOTES & TIPS

DMS CURRENT LOOP INSTALLATION NOTES

IF YOU HAVE:

**BARE WIRE FROM THE SWITCH
OR A BROKEN CONNECTOR**

- USE THE 400725SB2 CURRENT LOOP ADAPTER
- w/ THE 400725SBW HARDWARE ADAPTER

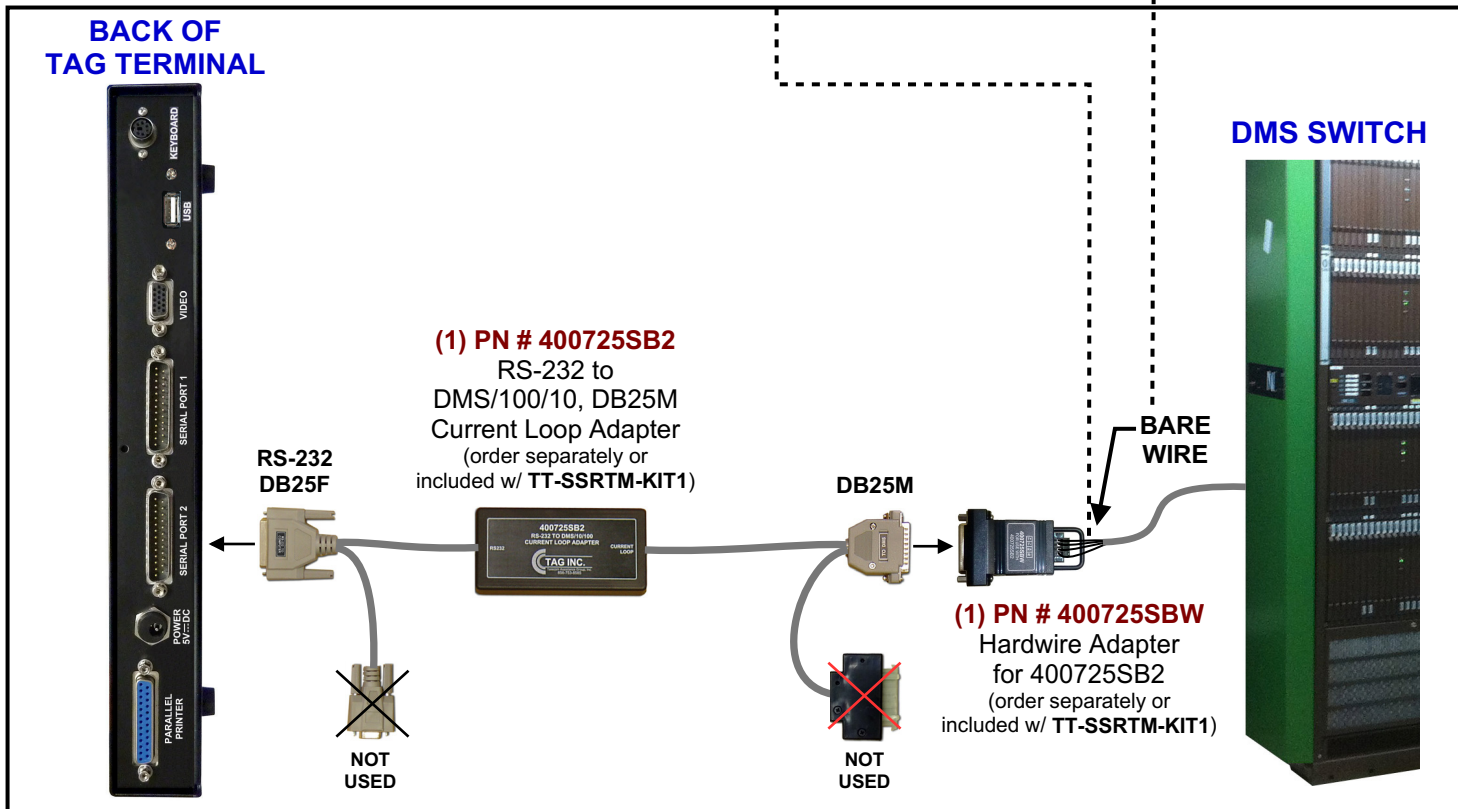


WIRING DETAIL*:



* Most common - Colors may vary
If colors are different, - DO NOT SEPERATE PAIRED WIRES

FIGURE 5



NOTES & TIPS

DMS CURRENT LOOP INSTALLATION NOTES

CURRENT LOOP PAIR DETERMINATION:

- 1 SET VOLT-OHM METER TO DCV SETTING
(WITH THE WIRES DISCONNECTED)
- 2 CONNECT THE (+) RED PROBE TO THE ORANGE / WHITE WIRE & THE (-) BLACK PROBE TO THE WHITE / ORANGE WIRE
- 3 COMPARE THE READINGS & POLARITIES (AS SHOWN BELOW)
(VOLTAGES SHOWN ARE APPROXIMATE & ACTUAL VALUES MAY BE DIFFERENT)
- 4 REPEAT STEPS 2 & 3 FOR THE WHITE / BLUE PAIR
- 5 NOTE: RECEIVE PAIR VOLTAGE IS SLIGHTLY LOWER THAN TRANSMIT PAIR VOLTAGE
- 6 ATTACH THE WIRES TO PN # 400725SBW ACCORDING TO THE POLARITY FOUND IN THE WIRING DETAIL.

- TRANSMIT (+) TO T+
- TRANSMIT (-) TO T-
- RECEIVE (+) TO R+
- RECEIVE (-) TO R-

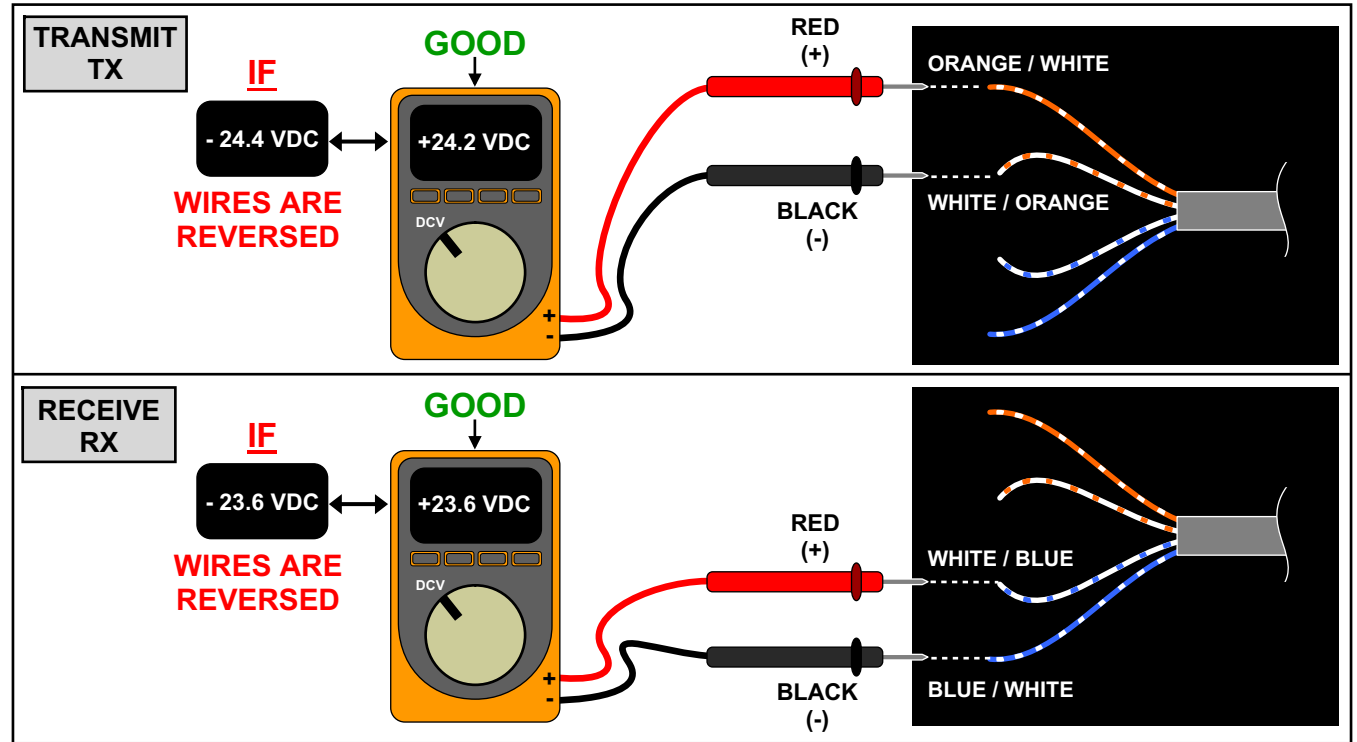
WIRING DETAIL*:



* Most common - Colors may vary

If colors are different, - DO NOT SEPERATE PAIRED WIRES

FIGURE 6



NOTES & TIPS

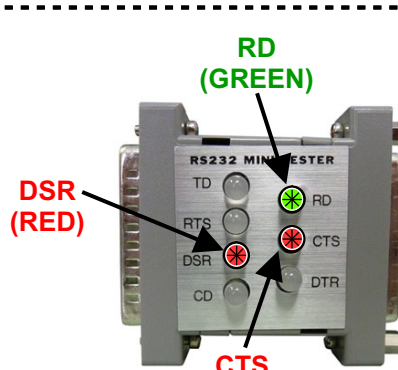
DMS CURRENT LOOP INSTALLATION NOTES

IF YOU HAVE:

AN EXISTING TERMINAL w/ DB25 CONNECTOR

- USE THE 400725LB

BACK OF TAG TERMINAL



DSR (RED)

RD (GREEN)

CTS (RED)

(1) PN # 400725LB
DB25M to DB25F
Mini Tracer
(order separately)

1

TO DETERMINE IF THE CABLE FROM THE DMS SWITCH IS RS232, USE PN # 400725LB MINI TRACER



DB25

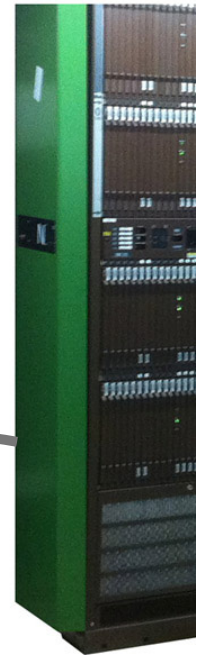
FIGURE 7

2

- IF THE TRACER LIGHTS AS SHOWN, THE CABLE IS RS232. CONTINUE TO INSTALL - SEE STEP 3.

- IF RS232 IS NOT PRESENT, CALL TAG FOR ASSISTANCE @ 856-753-8585

DMS SWITCH



DB25 (RS-232)
FROM DMS SWITCH

3

IF RS232 IS PRESENT, CONNECT THE DB25 TO THE BACK OF THE TERMINAL.

IF NECESSARY, USE THE SUPPLIED GENDER CHANGER (PN # 400700).

(1) PN # 400700
DB25F Gender Changer
(INCLUDED - IF NEEDED)