

**NOTES & TIPS**

**DMS CURRENT LOOP INSTALLATION NOTES**

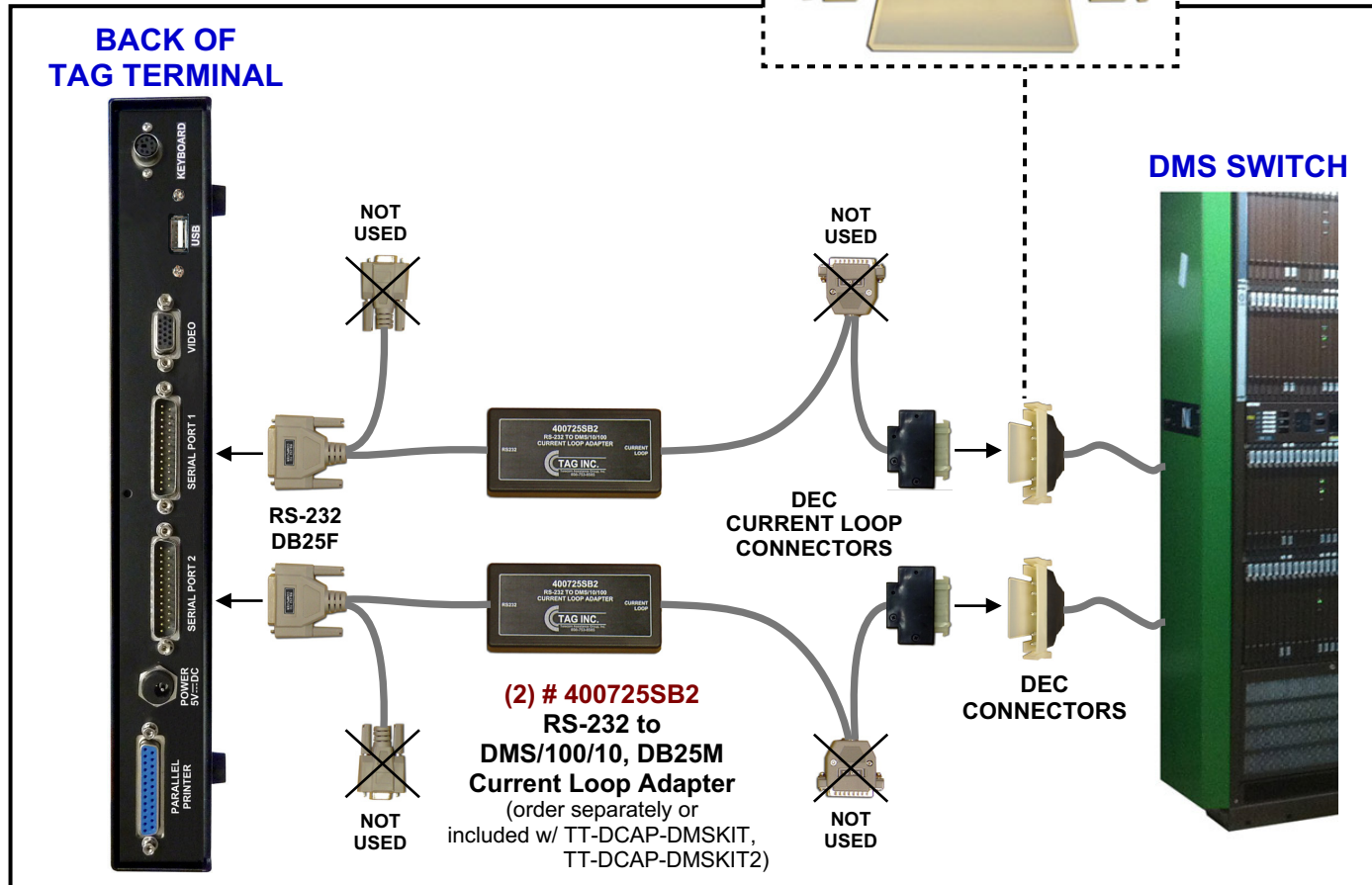
**IF YOU HAVE:**

**FLAT DEC CONNECTOR FROM THE SWITCH**

**- USE 400725SB2 CURRENT LOOP ADAPTERS**



**FIGURE 1**



150 Cooper Rd. (F-15)  
W. Berlin, NJ 08091

[www.tagcords.com](http://www.tagcords.com)  
**Telecom Assistance Group**

Telephone: (856) 753-8585  
Fax: (856) 768-7645

# NOTES & TIPS

# DMS CURRENT LOOP INSTALLATION NOTES

### IF YOU HAVE:

**A CURRENT LOOP TO MMJ ADAPTER FROM THE SWITCH**

- USE THE 400725SB2 CURRENT LOOP ADAPTERS

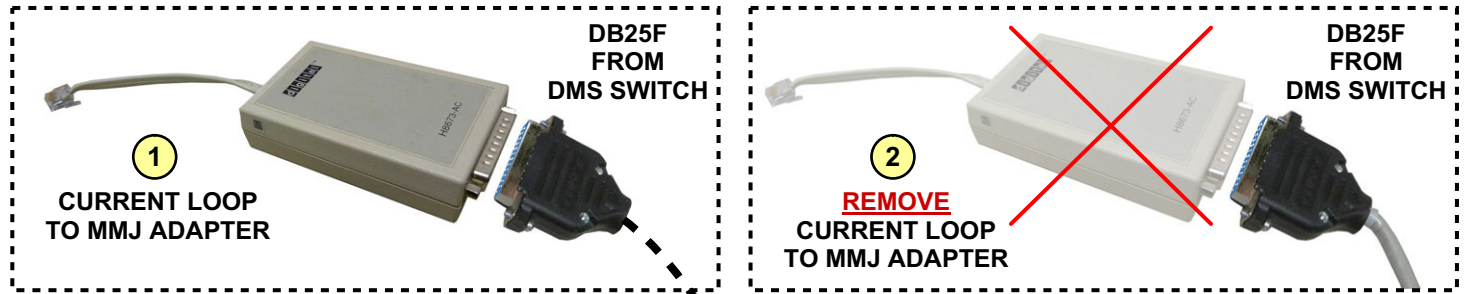
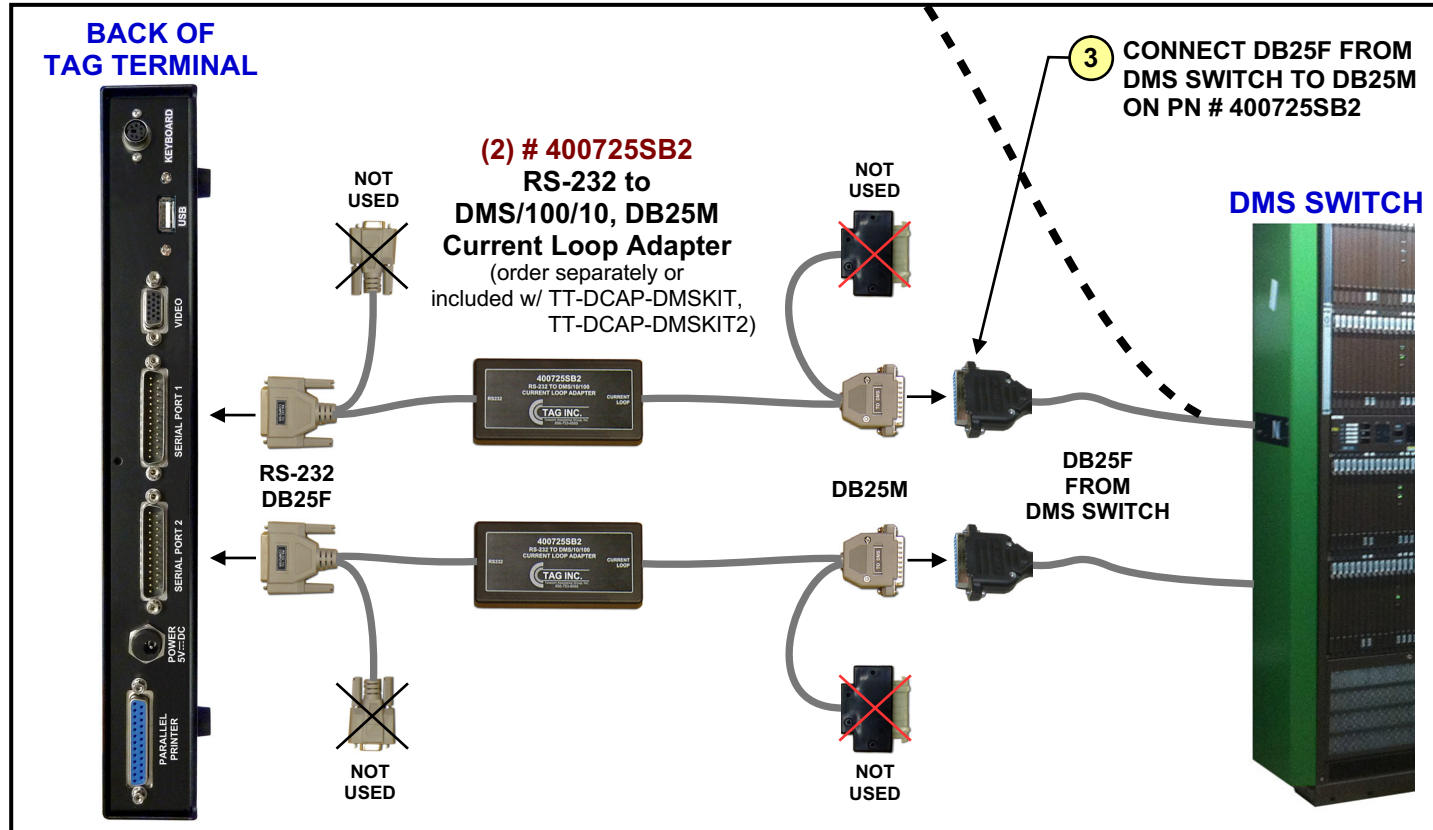


FIGURE 2



150 Cooper Rd. (F-15)  
W. Berlin, NJ 08091

www.tagcords.com  
**Telecom Assistance Group**

Telephone: (856) 753-8585  
Fax : (856) 768-7645

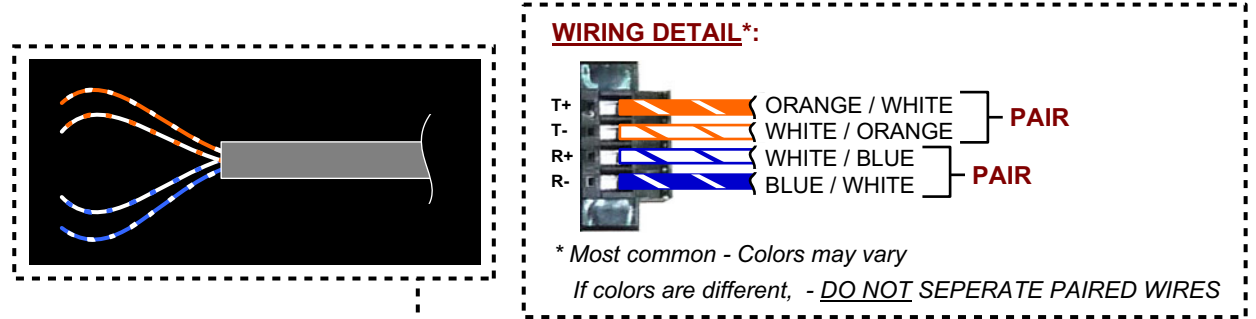
**NOTES & TIPS**

**DMS CURRENT LOOP INSTALLATION NOTES**

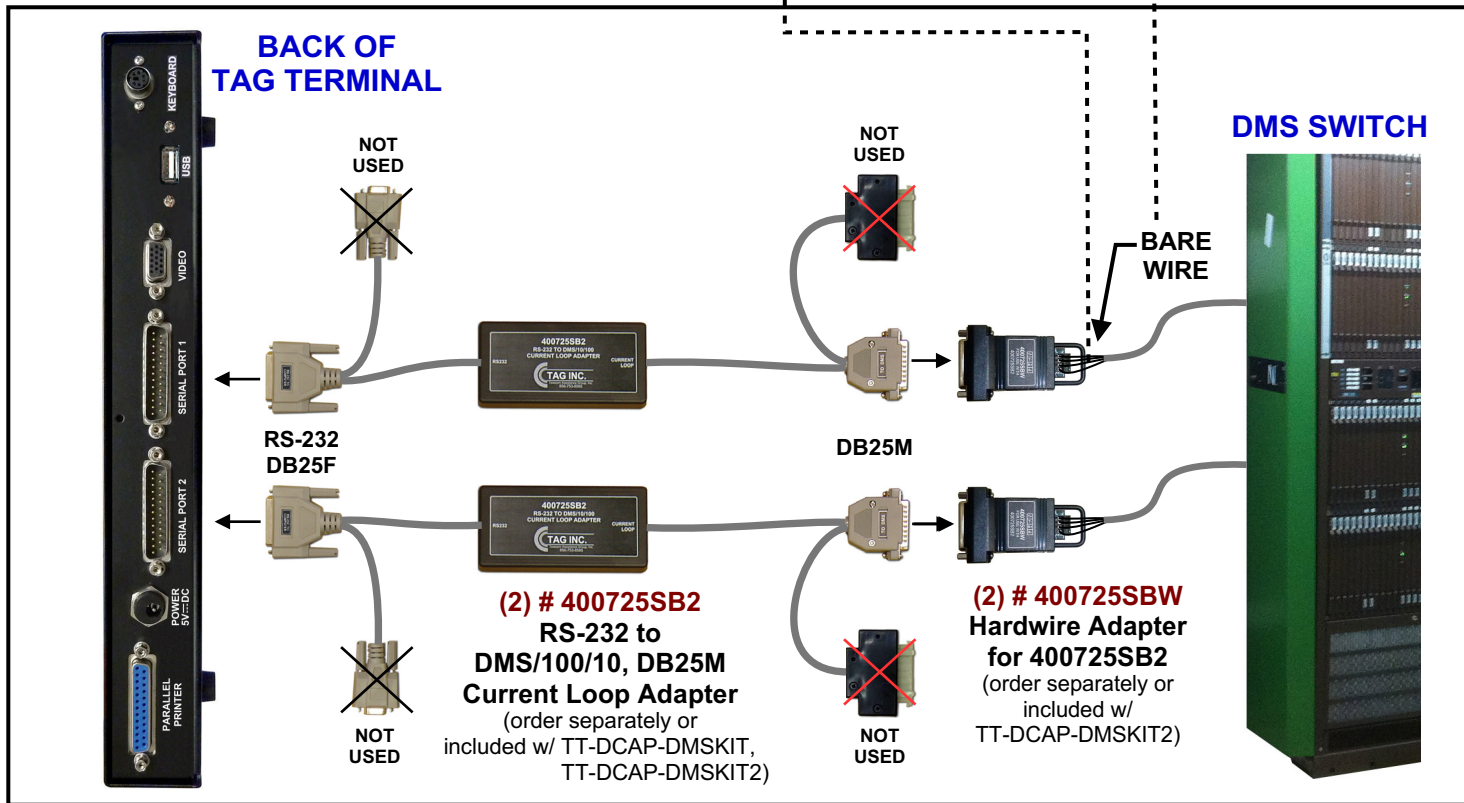
**IF YOU HAVE:**

**BARE WIRE FROM THE SWITCH OR A BROKEN CONNECTOR**

- USE THE 400725SB2 CURRENT LOOP ADAPTERS
- w/ THE 400725SBW HARDWIRE ADAPTERS



**FIGURE 3**



# NOTES & TIPS

# DMS CURRENT LOOP INSTALLATION NOTES

## CURRENT LOOP PAIR DETERMINATION:

- 1 SET VOLT-OHM METER TO DCV SETTING  
(WITH THE WIRES DISCONNECTED)
- 2 CONNECT THE (+) RED PROBE TO THE ORANGE / WHITE WIRE & THE (-) BLACK PROBE TO THE WHITE / ORANGE WIRE
- 3 COMPARE THE READINGS & POLARITIES (AS SHOWN BELOW)  
(VOLTAGES SHOWN ARE APPROXIMATE & ACTUAL VALUES MAY BE DIFFERENT)
- 4 REPEAT STEPS 2 & 3 FOR THE WHITE / BLUE PAIR
- 5 NOTE: RECEIVE PAIR VOLTAGE IS SLIGHTLY LOWER THAN TRANSMIT PAIR VOLTAGE
- 6 ATTACH THE WIRES TO PN # 400725SBW ACCORDING TO THE POLARITY FOUND IN THE WIRING DETAIL

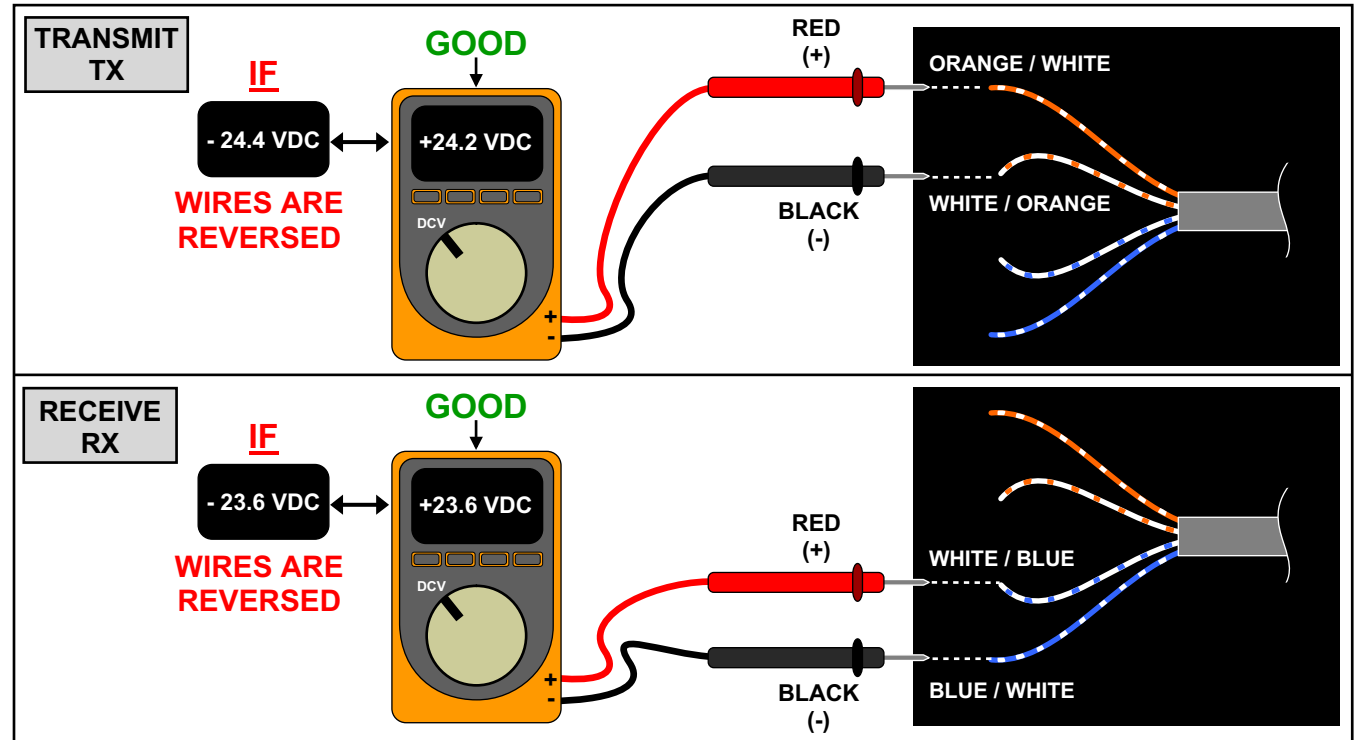
- TRANSMIT (+) TO T+
- TRANSMIT (-) TO T-
- RECEIVE (+) TO R+
- RECEIVE (-) TO R-

### WIRING DETAIL\*:



\* Most common - Colors may vary  
If colors are different, - DO NOT SEPERATE PAIRED WIRES

FIGURE 4



150 Cooper Rd. (F-15)  
W. Berlin, NJ 08091

www.tagcords.com  
**Telecom Assistance Group**

Telephone: (856) 753-8585  
Fax : (856) 768-7645

**NOTES & TIPS**

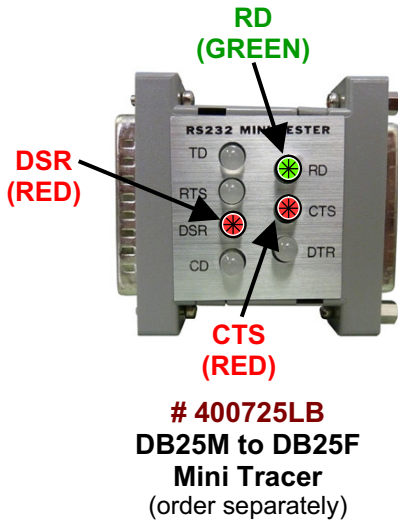
**DMS CURRENT LOOP INSTALLATION NOTES**

**IF YOU HAVE:**

**AN EXISTING TERMINAL  
w/ DB25 CONNECTOR**

- USE THE 400725LB

**BACK OF  
TAG TERMINAL**



**1** TO DETERMINE IF THE CABLE FROM THE DMS SWITCH IS RS232, USE # 400725LB MINI TRACER

**2** - IF THE TRACER LIGHTS AS SHOWN, THE CABLE IS RS232. CONTINUE TO INSTALL - SEE STEP 3.  
- IF RS232 IS NOT PRESENT, CALL TAG FOR ASSISTANCE @ 856-753-8585



**DB25**

**FIGURE 5**

**DMS SWITCH**



**DB25 (RS-232)  
FROM DMS SWITCH**

**(2) # 400700  
DB25F Gender Changer  
(INCLUDED - IF NEEDED)**

**3** IF RS232 IS PRESENT, CONNECT THE DB25 TO THE BACK OF THE TERMINAL.  
*IF NECESSARY, USE THE SUPPLIED GENDER CHANGERS (# 400700).*

150 Cooper Rd. (F-15)  
W. Berlin, NJ 08091

[www.tagcords.com](http://www.tagcords.com)

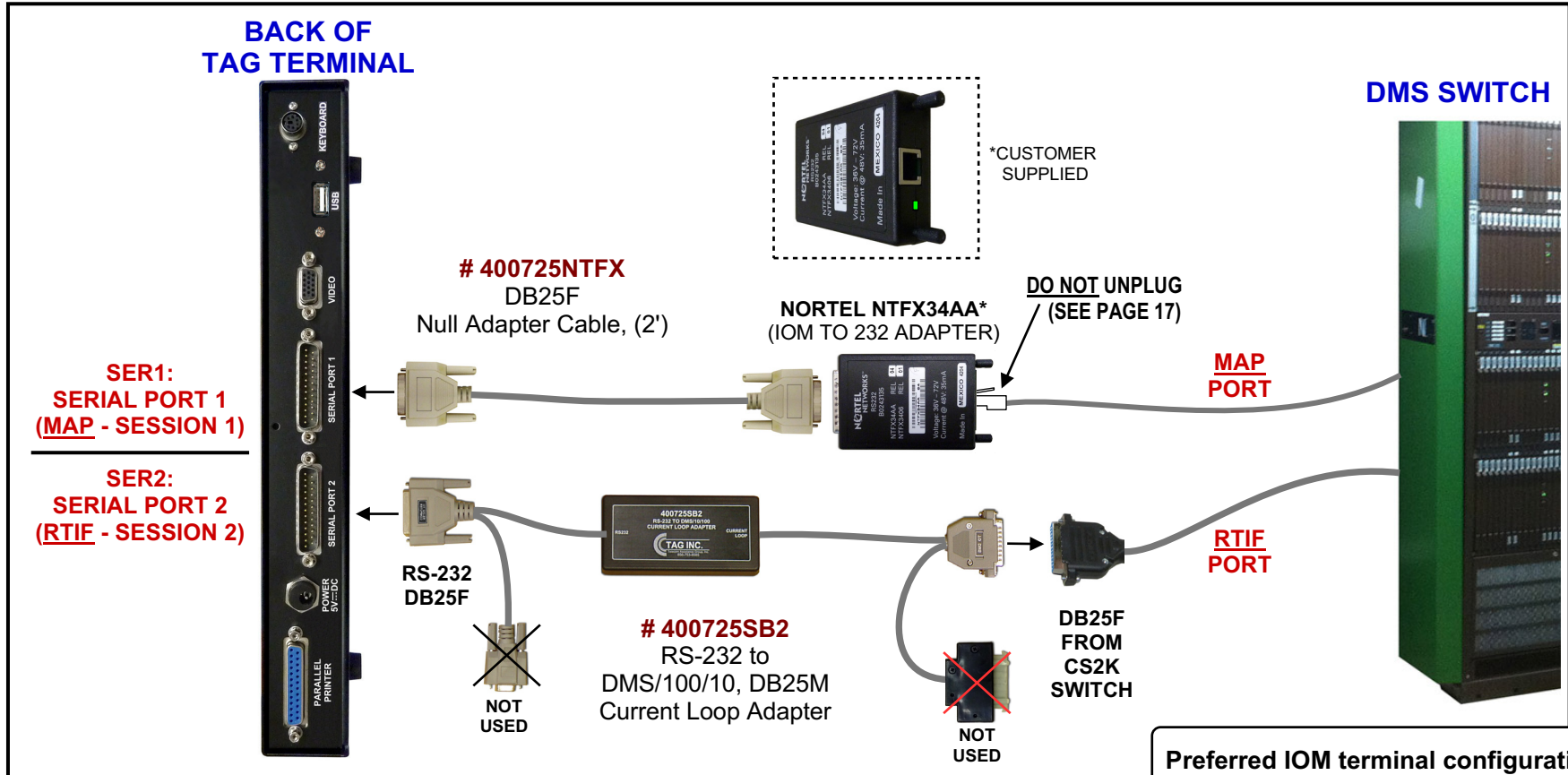
**Telecom Assistance Group**

Telephone: (856) 753-8585  
Fax : (856) 768-7645

**NOTES & TIPS**

**UPGRADED IOM INSTALLATION NOTES**

**FIGURE 6**



**Preferred IOM terminal configuration:**  
**SESSION 1 - MAP**  
**SESSION 2 - RTIF**

**NOTES:**

- SETUP SAME AS DMS BUT WITH HARDWARE HANDSHAKE
- SOME RTIF APPLICATIONS DO NOT NEED CURRENT LOOP ADAPTER (# 400725SB2)
- HANDSHAKE COULD BE NONE
- BAUD 2400 TO 9600
- WHEN ATTACHING THE MAP TERMINAL (NEW OR OLD), THE PORT NEEDS TO BE DEACTIVATED AND REACTIVATED TO START OPERATION. THIS IS DONE FROM THE REMOTE COMMAND (NETWORK ACCESS) TERMINAL

150 Cooper Rd. (F-15)  
 W. Berlin, NJ 08091

www.tagcords.com  
**Telecom Assistance Group**

Telephone: (856) 753-8585  
 Fax : (856) 768-7645

## NOTES & TIPS

## UPGRADED IOM INSTALLATION NOTES

### \* WARNING \*

**DO NOT UNPLUG THE RJ48 CABLE FROM THE NORTEL ADAPTER.**

- IF IT IS NECESSARY TO DISCONNECT THIS CABLE, THE ADAPTER WILL LOSE ITS SET UP INFORMATION. FOLLOW THE STEPS BELOW TO RESTART THE ADAPTER (PORT).

**TO RE-SYNC THE NORTEL NTFX34AA\* ADAPTER - THE FOLLOWING SWITCH SETUP STEPS MAY BE HELPFUL:**

1. BUSY PORT
2. TAKE OFFLINE
3. BUSY PORT AGAIN
4. THEN "RTS" THE PORT

**THIS SHOULD RE-ACTIVATE THE MAP TERMINAL.**

**NOTE: THE GREEN LIGHT ON THE NORTEL NTFX34AA ADAPTER SHOULD BE ON.**

*\*NTFX34AA ADAPTER IS CUSTOMER SUPPLIED*

**FIGURE 7**

